

# Cable Tray / Ladder Tray

## XX-X059-XX-XX

PowerTray™ Accessories

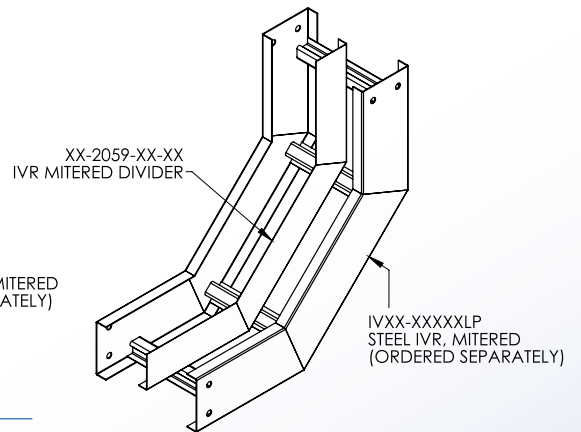
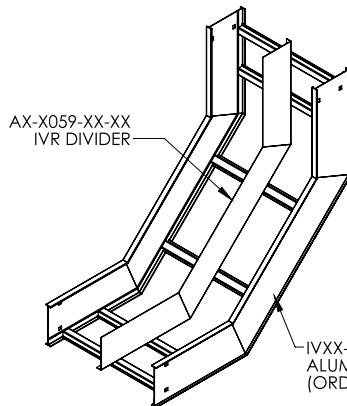
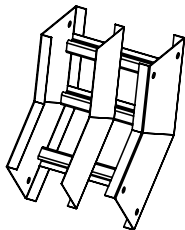
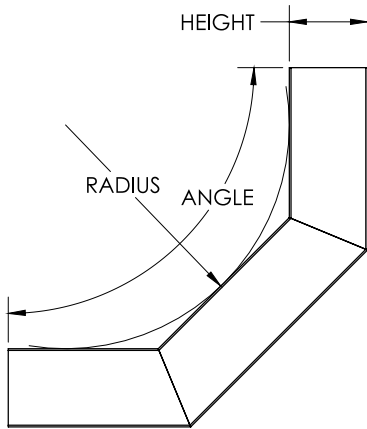
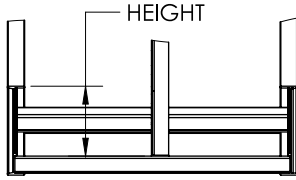
Manufactured in the USA by MonoSystems, Inc.



### INSIDE VERTICAL RISER DIVIDER STRIP MITERED RADIUS

#### Notes

- 1.) Attach divider strip to inside vertical bend using #8 tek screws.
- 2.) Views for reference - do not scale.



#### ORDERING DATA EXAMPLE:

**X X - X 059 - XX - XX**

MATERIAL	HEIGHT	SERIES	RADIUS	ANGLE
A = ALUMINUM	4 = 4" (3" DEPTH)	1 = "L" LITE SERIES	12 = 12"	30
P = PRE-GALV STEEL	5 = 5" (4" DEPTH)	2 = B,C,D SERIES	24 = 24"	45
G = HDGAF	6 = 6" (5" DEPTH)		36 = 36"	60
	7 = 7" (6" DEPTH)		48 = 48"	90

4 International Drive  
Rye Brook, NY 10573  
Toll Free: 1 888.764.7681  
Phone: 914.934.2075  
Fax: 914.934.2190  
MonoSystems.com



**MonoSystems™**  
wire management. managed.