

Cable Tray / Ladder Tray XX-X058

PowerTray™ Accessories

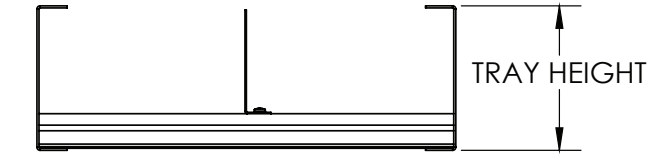
Manufactured in the USA by MonoSystems, Inc.



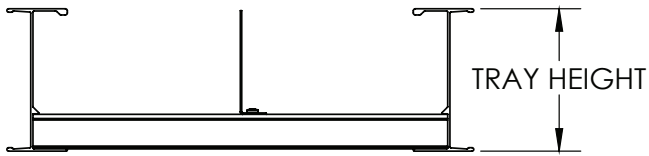
HORIZONTAL BEND DIVIDER (BARRIER STRIP) ALUMINUM AND STEEL POWER TRAY

Notes

- 1.) Use to create separate compartments in a horizontal bend.
- 2.) Supplied standard in 6ft lengths.
- 3.) Each includes (6x) #8 x 1/2" phil. pan. tek screws for installation.
- 4.) Installation instructions:
 - Position divider to desired bend location, form into place and clamp to rungs.
 - Field install #8 tek screws thru divider and into rungs.
 - Remove any excess divider length.
- 5.) Views for reference - do not scale.



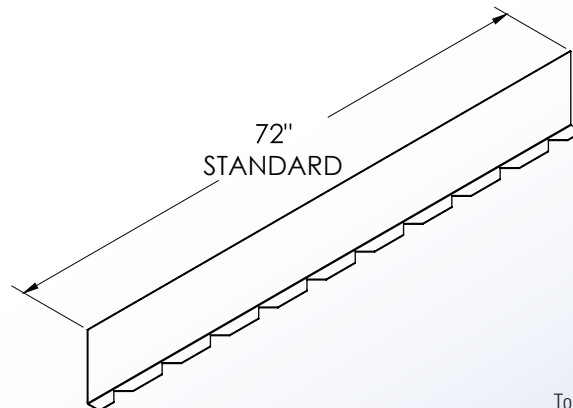
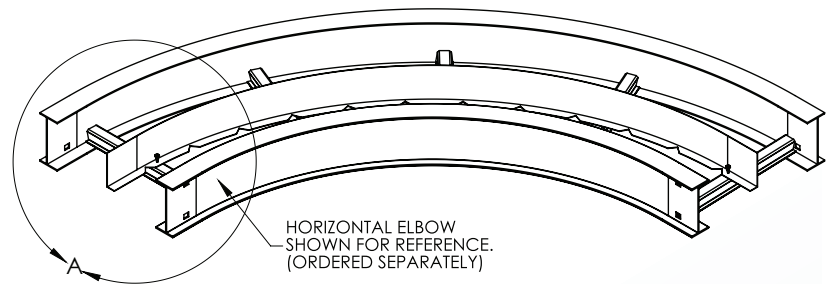
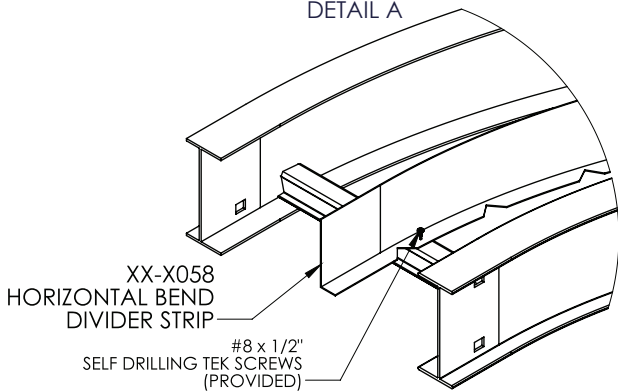
FRONT VIEW
STEEL TRAY



FRONT VIEW
ALUMINUM TRAY



DETAIL A



ORDERING DATA EXAMPLE:

X X - X 058

MATERIAL

- A = ALUMINUM
- P = PRE-GALV. STEEL
- G = HOT DIPPED GALV. AFTER FABRICATION
- SS = STAINLESS STEEL

TRAY HEIGHT

- 4 = 4"
- 5 = 5"
- 6 = 6"
- 7 = 7"

SERIES

- 1 = "L" LITE SERIES
- 2 = SERIES: B,C,D

4 International Drive
Rye Brook, NY 10573
Toll Free: 1 888.764.7681
Phone: 914.934.2075
Fax: 914.934.2190
MonoSystems.com



MonoSystems™
wire management. managed.™