

Cable Tray / Ladder Tray XX-X045-PR

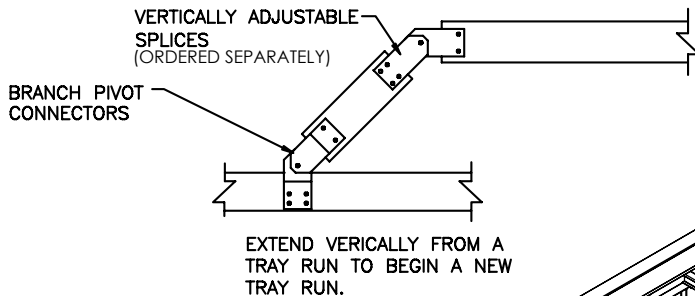
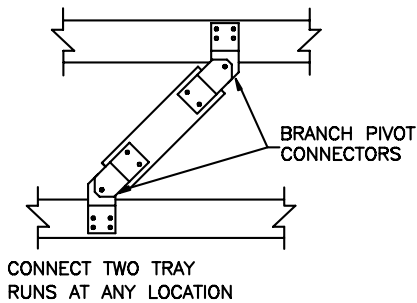
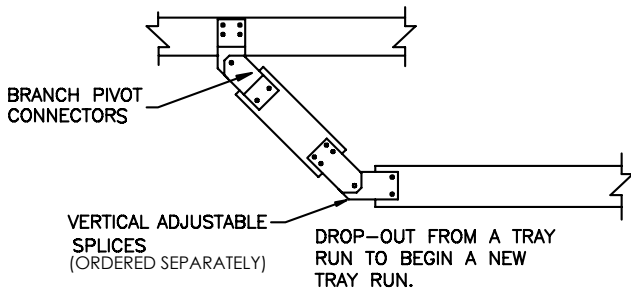
PowerTray™ Accessories
Manufactured by MonoSystems, Inc.



BRANCH PIVOT CONNECTORS FOR SIDE RAIL

Notes

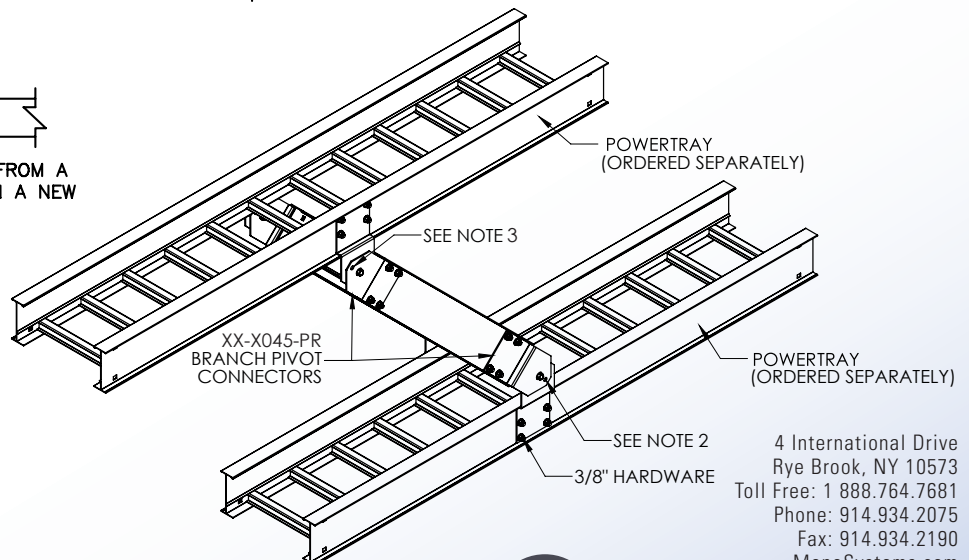
- 1.) Ordered as pairs. Includes 3/8" mounting hardware.
- 2.) Use to branch up or down from existing cable tray runs at any point, pivot to any required angle.
- 3.) Provided with hole for locking angle. Drill and install 3/8" hardware to lock angle in place.
- 4.) To make installation as shown: (2) pairs are to be ordered.
- 5.) Views for reference - do not scale.



ORDERING DATA EXAMPLE:

XX-X045-PR

TRAY MATERIAL	RAIL HEIGHT	SERIES
A = ALUMINUM	4 = 4" TRAY HEIGHT	1 = "L" SERIES
G = HDGAF	5 = 5" TRAY HEIGHT	2 = B,C,D, E SERIES
P = PRE GALV	6 = 6" TRAY HEIGHT	



4 International Drive
Rye Brook, NY 10573
Toll Free: 1 888.764.7681
Phone: 914.934.2075
Fax: 914.934.2190
MonoSystems.com

