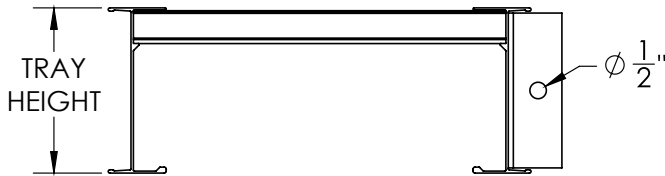


Cable Tray / Ladder Tray XX-X022-PR

PowerTray™ Accessories

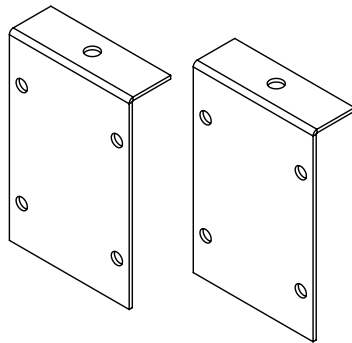
Manufactured by MonoSystems, Inc.

VERTICAL HANGER SPLICE



Notes

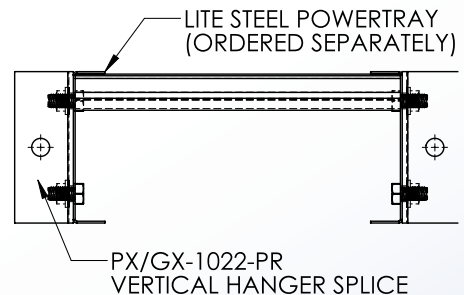
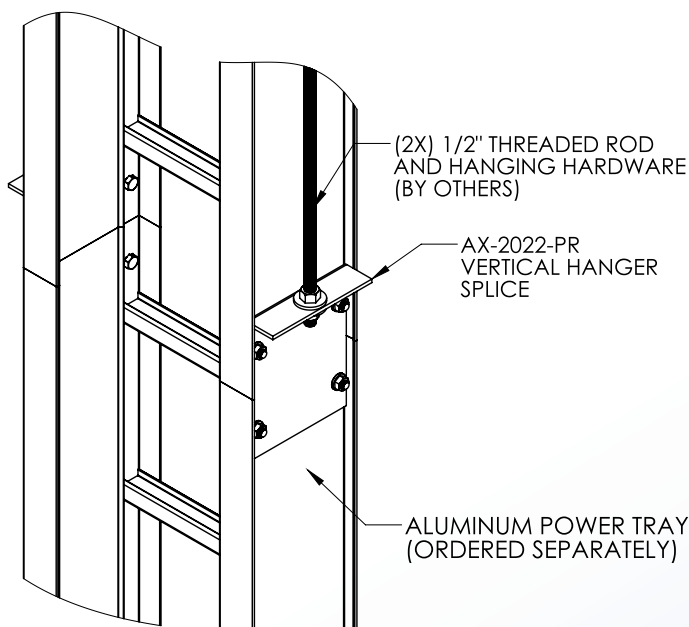
- 1.) Allows support of vertical runs of cable tray.
- 2.) Includes two vertical hanger splice plates with hardware for connection to PowerTray cable tray. Additional hardware and threaded rod by others.
- 3.) To install, align splice plate with splice holes on the ends of the rail or position along side rail where desired and field drill new mounting holes and install 3/8" hardware. Recommended torque for 3/8" fasteners: 35 ft-lbs [47.5 N-m].
- 4.) Views for reference, do not scale.



ORDERING DATA EXAMPLE:

XX-X022-PR

TRAY MATERIAL	RAIL HEIGHT	TRAY TYPE
A = ALUMINUM	4 = 4" TRAY HEIGHT	1 = LITE "L" SERIES
G = HDGAF	5 = 5" TRAY HEIGHT	2 = HEAVY B,C,D SERIES
P = PRE GALV	6 = 6" TRAY HEIGHT	
	7 = 7" TRAY HEIGHT	



4 International Drive
Rye Brook, NY 10573
Toll Free: 1 888.764.7681
Phone: 914.934.2075
Fax: 914.934.2190
MonoSystems.com

