

Cable Tray / Ladder Tray XX-X017-XX

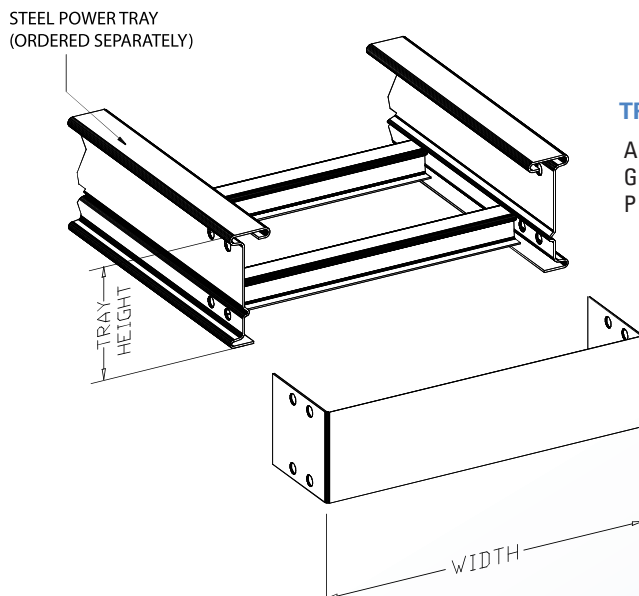
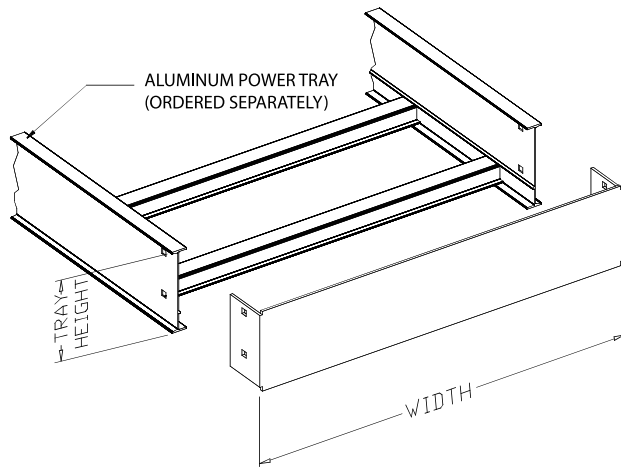
PowerTray™ Accessories
Manufactured in the USA by MonoSystems, Inc.



BLIND END

Notes

- 1.) Closes off end of cable tray run.
- 2.) Packaged individually with hardware.
- 3.) Manufactured and tested in conformance with nema VE-1 standards.



ORDERING DATA EXAMPLE:

(X) (H) - (X) 017 - (XX)

TRAY MATERIAL

A = ALUMINUM
G = STEEL H.D.G.A.F.
P = STEEL PRE-GALV.

RAIL HEIGHT

4 = 4" HIGH
5 = 5" HIGH
6 = 6" HIGH
7 = 7" HIGH

SERIES

1 = "L" SERIES
2 = SERIES B, C, D & E

TRAY WITH

06 = 6" WIDE
09 = 9" WIDE
12 = 12" WIDE
18 = 18" WIDE
24 = 24" WIDE
30 = 30" WIDE
36 = 36" WIDE

4 International Drive
Rye Brook, NY 10573
Toll Free: 1 888.764.7681
Phone: 914.934.2075
Fax: 914.934.2190
MonoSystems.com



MonoSystems
wire management. managed.