

# Cable Tray / Ladder Tray XX-X016-XX

PowerTray™ Accessories

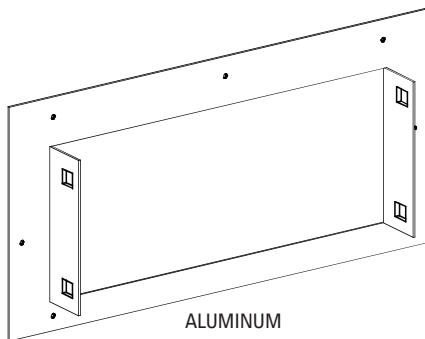
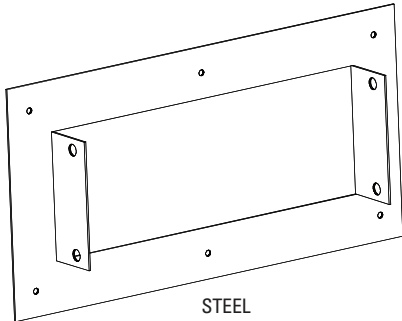
Manufactured in the USA by MonoSystems, Inc.



## FRAME TRAY TO BOX CONNECTOR

### Notes

- 1.) Designed to attach to the end of a power tray run to a distribution cabinet or control center to help reinforce the box at the point of entry.
- 2.) Packaged with hardware for connection to cable tray.
- 3.) Holes shown for reference only. No tray to box mounting holes provided. Field drill as required.



### ORDERING DATA EXAMPLE:

**(X) (X) - (X) 016 - (XX)**

#### TRAY MATERIAL

A = ALUMINUM  
G = STEEL H.D.G.A.F.  
P = STEEL PRE-GALV.

#### RAIL HEIGHT

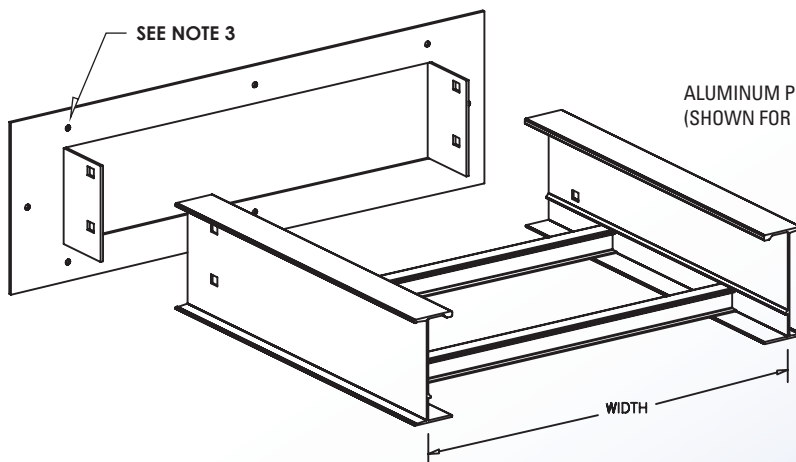
4 = 4" HIGH  
5 = 5" HIGH  
6 = 6" HIGH  
7 = 7" HIGH

#### SERIES

1 = "L" SERIES  
2 = SERIES B, C, D & E

#### TRAY WITH

06 = 6" WIDE  
09 = 9" WIDE  
12 = 12" WIDE  
18 = 18" WIDE  
24 = 24" WIDE  
30 = 30" WIDE  
36 = 36" WIDE



4 International Drive  
Rye Brook, NY 10573  
Toll Free: 1 888.764.7681  
Phone: 914.934.2075  
Fax: 914.934.2190  
MonoSystems.com



**MonoSystems™**  
wire management. managed.