

Cable Tray / Ladder Tray XX-X015-PR

PowerTray™ Accessories

Manufactured by MonoSystems, Inc.

TRAY TO WALL CONNECTOR

Notes

- 1.) Includes two connectors with hardware for connection to PowerTray cable tray. Recommended torque for 3/8" fasteners: 35 ft-lbs [47.5 N-m].
- 2.) Use for connecting the end of a PowerTray run to a wall, box, or panel.
- 3.) Views for reference - do not scale.

ORDERING DATA EXAMPLE:

XX-X015-PR

TRAY MATERIAL

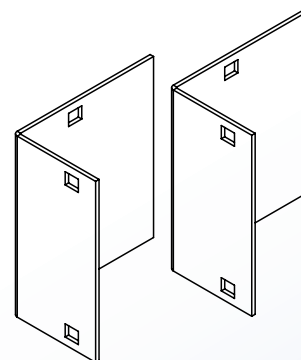
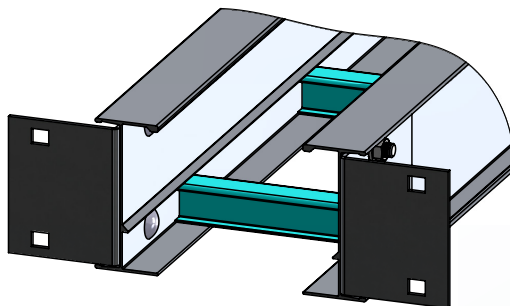
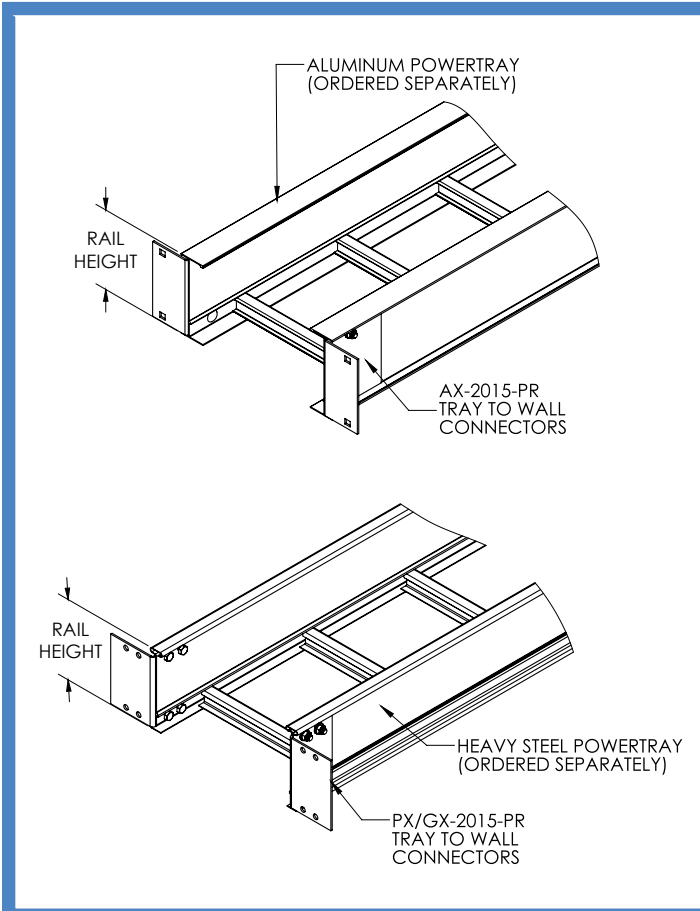
A = 1/8" ALUMINUM
G = 11GA HDGAF
P = 11GA PRE GALV

RAIL HEIGHT

4 = 4" HIGH
5 = 5" HIGH
6 = 6" HIGH
7 = 7" HIGH

TRAY TYPE

1 = LITE "L" SERIES
2 = HEAVY B,C,D, SERIES



4 International Drive
Rye Brook, NY 10573
Toll Free: 1 888.764.7681
Phone: 914.934.2075
Fax: 914.934.2190
MonoSystems.com

