

Cable Tray / Ladder Tray

XX-X011-PR

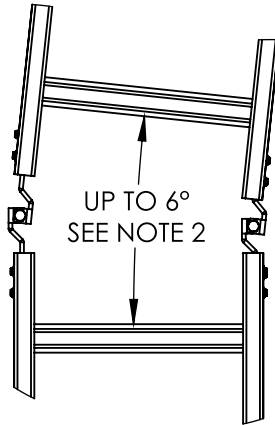
PowerTray™ Accessories

Manufactured by MonoSystems, Inc.

HORIZONTAL PIVOT CONNECTORS

Notes

- 1.) Includes two pivot connectors with 3/8" pivot and 3/8" tray mounting hardware. Recommended torque for 3/8" fasteners: 35 ft-lbs [47.5 N-m].
- 2.) Allows for directional changes up to 6°. For pivot requirements beyond 6° see part number: XX-X011-E Horizontal Pivot Extender Plate.
- 3.) Tray must be supported within 24" on both sides per NEMA VE2. Supports by others.
- 4.) Views for reference - do not scale.



ORDERING DATA EXAMPLE:

XX-X011-PR

TRAY MATERIAL

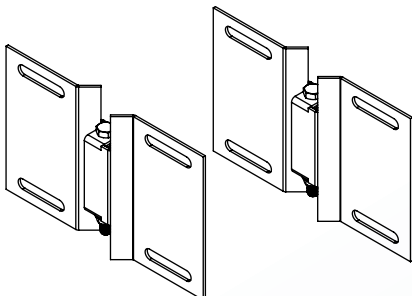
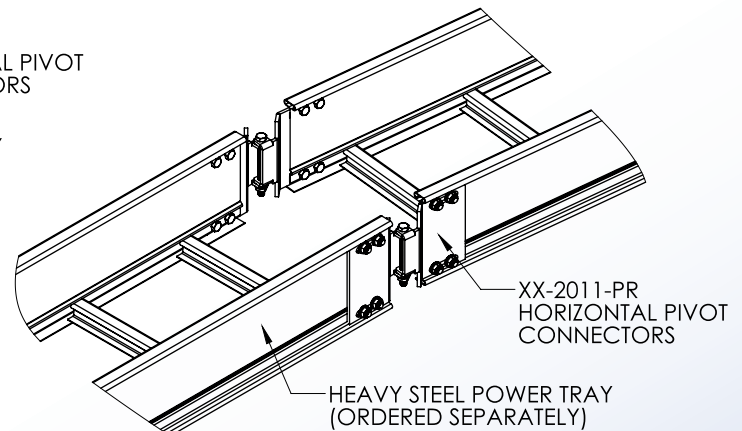
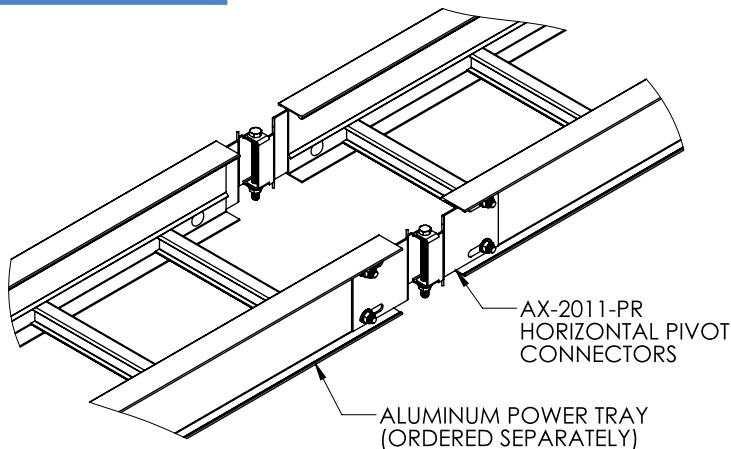
A = ALUMINUM
G = HDGAF
P = PRE GALV

RAIL HEIGHT

4 = 4" TRAY HEIGHT
5 = 5" TRAY HEIGHT
6 = 6" TRAY HEIGHT
7 = 7" TRAY HEIGHT

SERIES

1 = LITE "L" SERIES TRAY
2 = B,C,D SERIES TRAY



4 International Drive
Rye Brook, NY 10573
Toll Free: 1 888.764.7681
Phone: 914.934.2075
Fax: 914.934.2190
MonoSystems.com

