

Cable Tray / Ladder Tray XX-X004-X-PR

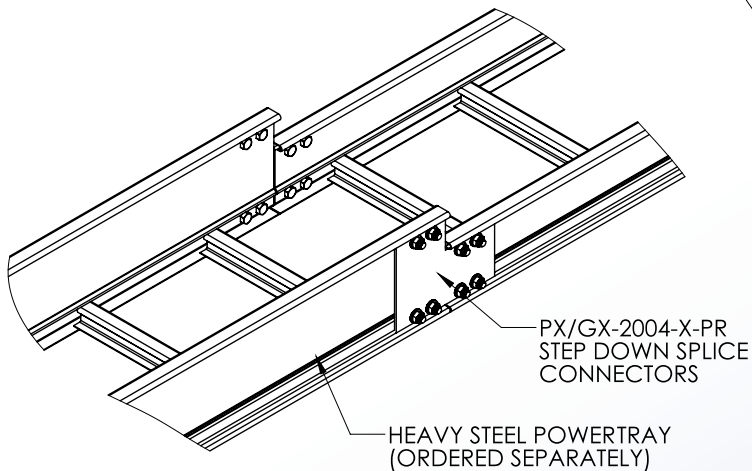
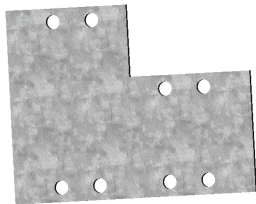
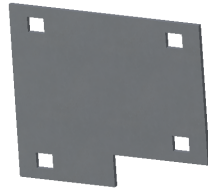
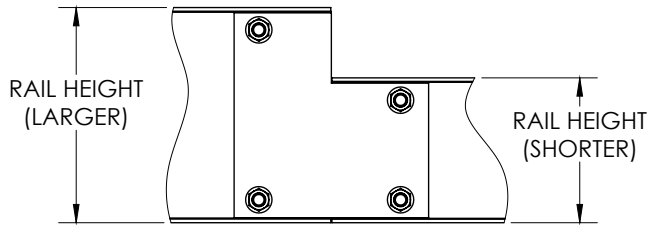
PowerTray™ Accessories

Manufactured by MonoSystems, Inc.

STEP DOWN SPLICE CONNECTORS

Notes

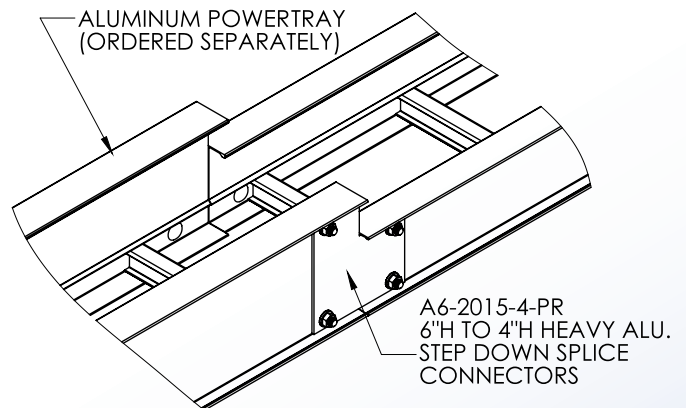
- 1.) Use to connect power tray sections of the same width but different siderail heights.
- 2.) Includes (2) connectors with hardware for connection to PowerTray cable tray. Recommended torque for 3/8" fasteners: 35 ft-lbs [47.5 N-m].
- 3.) Views for reference - do not scale.



ORDERING DATA EXAMPLE:

XX-X004-X-PR

TRAY MATERIAL	RAIL HEIGHT (TALLER)	TRAY TYPE	RAIL HEIGHT (SHORTER)
A = 1/8" ALUMINUM	5 = 5" HIGH	1 = LITE "L" SERIES	4 = 4" HIGH
G = 11GA HDGAF	6 = 6" HIGH	2 = HEAVY B,C,D SERIES	5 = 5" HIGH
P = 11GA PRE GALV	7 = 7" HIGH		6 = 6" HIGH



4 International Drive
Rye Brook, NY 10573
Toll Free: 1 888.764.7681
Phone: 914.934.2075
Fax: 914.934.2190
MonoSystems.com

