

Cable Tray / Ladder Tray

XX-X003

PowerTray™ Accessories
 Manufactured in the USA by MonoSystems, Inc.



OFFSET REDUCING CONNECTOR

Notes

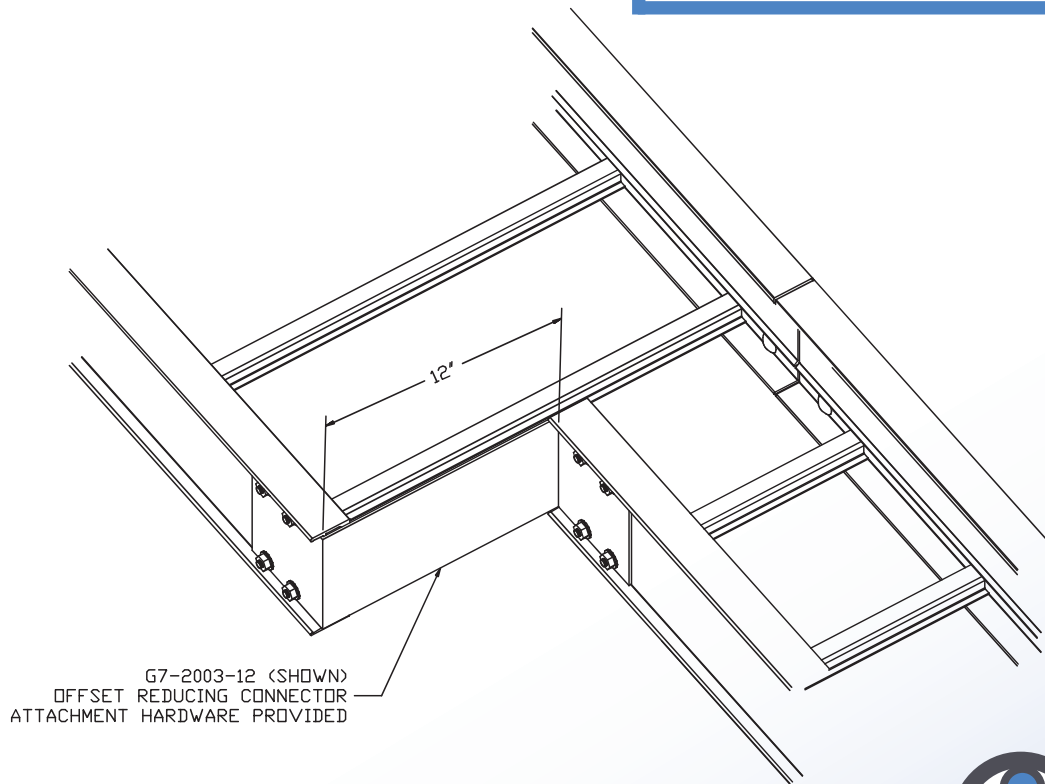
- 1.) Used to join cable tray sections with different widths.
- 2.) Used to form both offset and concentric reductions.
- 3.) Hardware included.
- 4.) Views for reference - do not scale.

ORDERING DATA EXAMPLE:

Insert required material, rail height, series and required offset.

(X) (H) - (X) 003 - (W)

MATERIAL	RAIL HEIGHT	SERIES	OFFSET WIDTH
A = ALUMINUM	4 = 4" HIGH	1 = "L" SERIES	3" MINIMUM
G = STEEL H.D.G.A.F.	5 = 5" HIGH	2 = SERIES B, C, D & E	
P = STEEL PRE-GALV.	6 = 6" HIGH		
	7 = 7" HIGH		



4 International Drive
 Rye Brook, NY 10573
 Toll Free: 1 888.764.7681
 Phone: 914.934.2075
 Fax: 914.934.2190
 MonoSystems.com



MonoSystems™
 wire management. managed.®