

Cable Tray / Ladder Tray XX-X002-PR

PowerTray™ Accessories

Manufactured by MonoSystems, Inc.

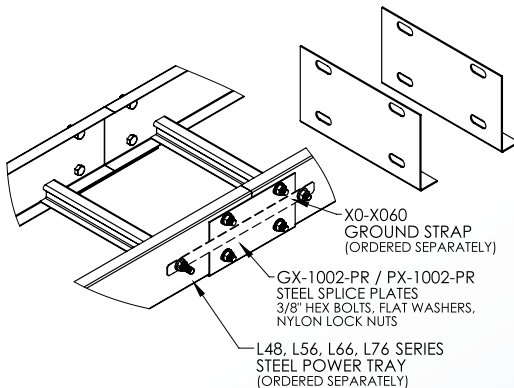
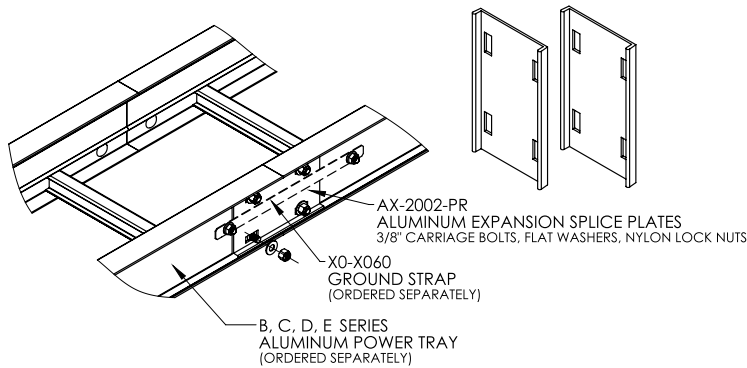
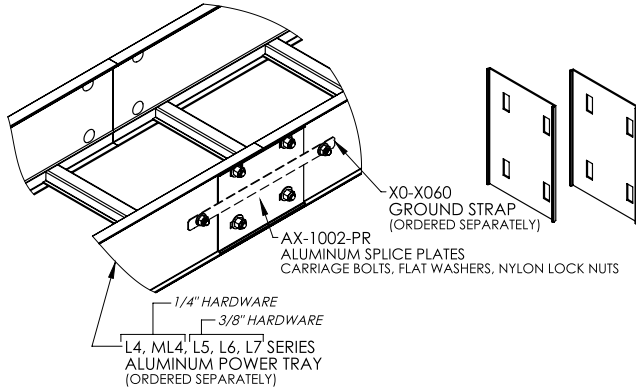


FILE: E80034

EXPANSION SPLICE CONNECTORS

Notes

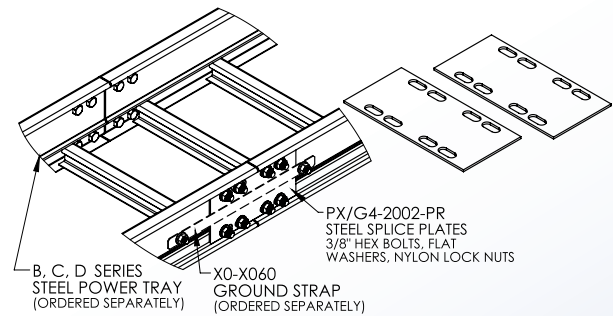
- 1.) For connecting two sections of power tray.
- 2.) Accommodates expansion or contraction of the tray.
- 3.) Includes two expansion splice plates with tray connection hardware.
- 4.) When installing, ensure flush contact between splice plate and power tray. When installing, torque 3/8" fasteners to 19 ft-lbs [21.7 Nm], torque 1/4" fasteners to 6 ft-lbs [8.1 Nm]. Then back off 1/4 turn.
- 5.) Grounding straps (C0-X060-X) (ordered separately) must be used with expansion splice connectors.
- 6.) Views for reference - do not scale.



ORDERING DATA EXAMPLE:

XX-X002-PR

MATERIAL	HEIGHT	RAIL SERIES
A = ALUMINUM	4 = 4" HIGH	1 = LITE "L" SERIES
P = PRE-GALV STEEL	5 = 5" HIGH	ALUMINUM OR STEEL
G = HDGAF	6 = 6" HIGH	2 = B, C, D, E SERIES
	7 = 7" HIGH	ALUMINUM OR STEEL



FOR STANDARD SPLICE PLATES
REFER TO DRAWING XX-X001-PR

4 International Drive
Rye Brook, NY 10573
Toll Free: 1 888.764.7681
Phone: 914.934.2075
Fax: 914.934.2190
MonoSystems.com

