

# Cable Tray / Ladder Tray XX-X001-PR

## PowerTray™ Accessories

Manufactured by MonoSystems, Inc.

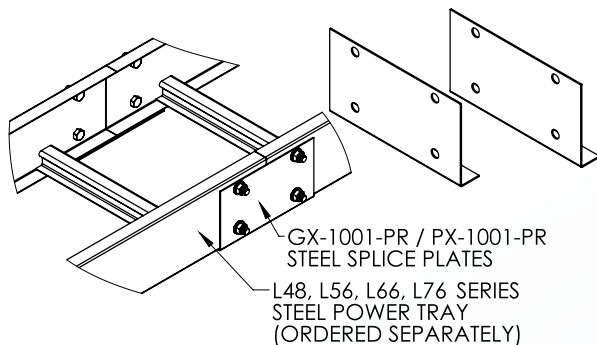
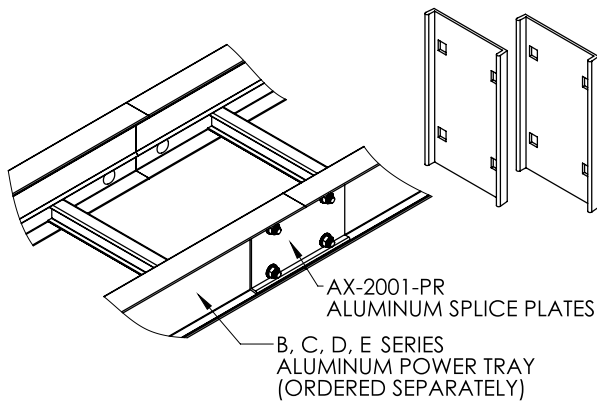
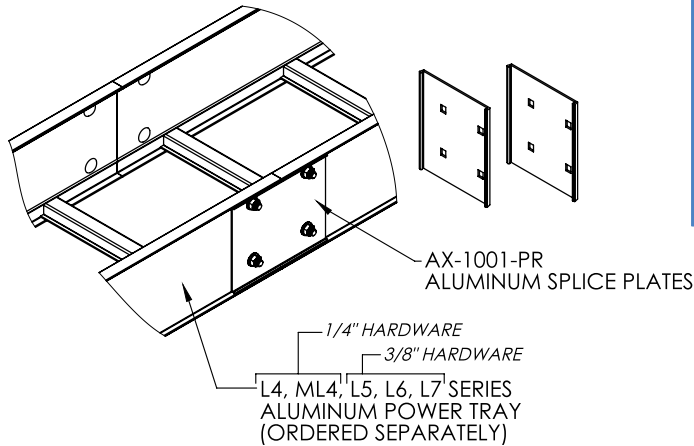


FILE: E80034

### SPLICE CONNECTORS

#### Notes

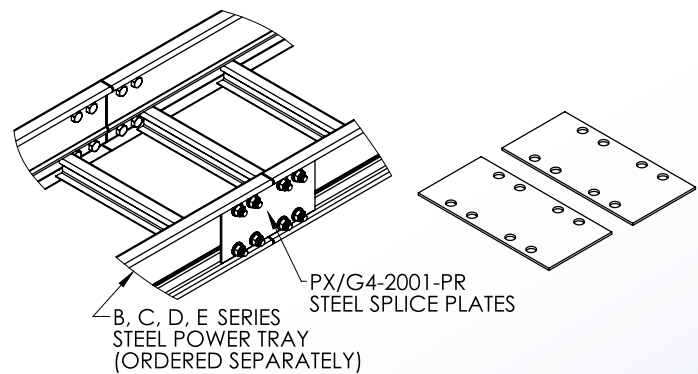
- 1.) For connecting two sections of power tray.
- 2.) Includes two splice plates with tray connection hardware.
- 3.) When installing, ensure flush contact between splice plate and power tray. Recommended torque for 3/8" fasteners: 35 ft-lbs [47.5 N-m]. Recommended torque for 1/4" fasteners: 12 ft-lbs [16.3 N-m].
- 4.) Views for reference - do not scale.



#### ORDERING DATA EXAMPLE:

# XX-X001-PR

MATERIAL	HEIGHT	RAIL SERIES
A = ALUMINUM	4 = 4" HIGH	1 = LITE "L" SERIES
P = PRE-GALV STEEL	5 = 5" HIGH	ALUMINUM OR STEEL
G = HDGAF	6 = 6" HIGH	2 = B, C, D, E SERIES
	7 = 7" HIGH	ALUMINUM OR STEEL



FOR EXPANSION SPLICE PLATES  
REFER TO DRAWING XX-X002-PR

4 International Drive  
Rye Brook, NY 10573  
Toll Free: 1 888.764.7681  
Phone: 914.934.2075  
Fax: 914.934.2190  
MonoSystems.com

