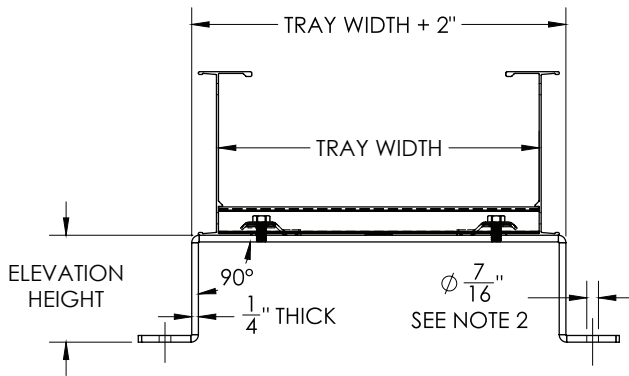


# Cable Tray / Ladder Tray XX-EFBX-XX

## PowerTray™ Accessories

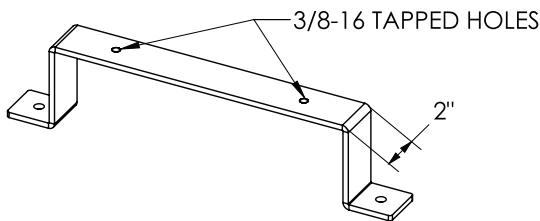
Manufactured by MonoSystems, Inc.

### ELEVATED FLOOR BRACKET FOR B,C,D SERIES ALUMINUM POWER TRAY



#### Notes:

- 1.) Sold as each (1-bracket).
- 2.) Mount to floor using  $\text{Ø } 3/8''$  or  $\text{Ø } 7/16''$  hardware (by others).
- 3.) 1-Pair of PowerTray hold down clamps and mounting clamps hardware provided.
- 4.) Uniform load rating of 500lbs.
- 5.) Views for reference - do not scale.



#### ORDERING DATA EXAMPLE:

**XX-EFB X-XX**

#### MATERIAL / FINISH

PG = HRS STEEL PAINTED GRAY  
 PW = HRS STEEL PAINTED WHITE  
 PB = HRS STEEL PAINTED BLACK  
 G0 = H.D.G.A.F. STEEL  
 Z0 = ZINC PLATED STEEL  
 U0 = UNFINISHED/RAW STEEL

#### ELEVATION HEIGHT

9 = 9"  
 6 = 6"  
 4 = 4" (STANDARD)  
 3 = 3"  
 2 = 2"  
 X = AS REQUESTED

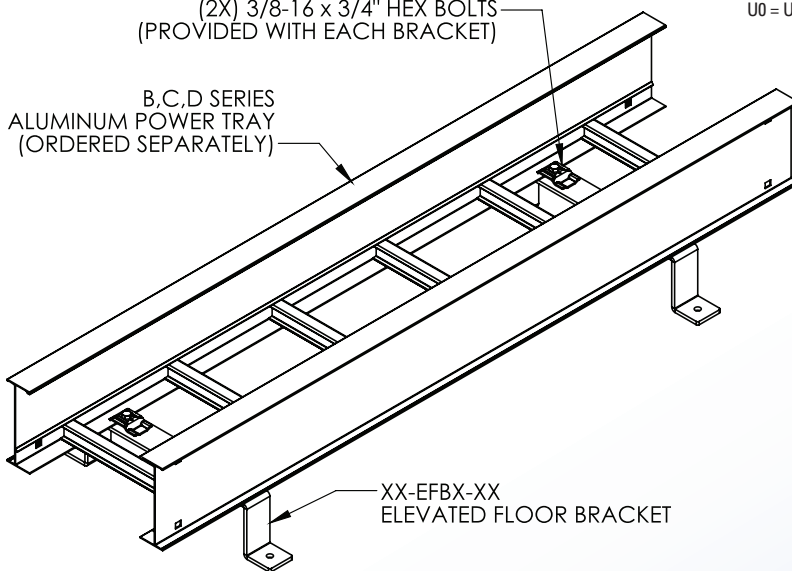
#### TRAY WIDTH

06 = 6"  
 09 = 9"  
 12 = 12"  
 18 = 18"  
 24 = 24"  
 30 = 30"  
 36 = 36"



(2X) HOLD DOWN CLAMPS  
 (2X) 3/8-16 x 3/4" HEX BOLTS  
 (PROVIDED WITH EACH BRACKET)

B,C,D SERIES  
 ALUMINUM POWER TRAY  
 (ORDERED SEPARATELY)



XX-EFBX-XX  
 ELEVATED FLOOR BRACKET

4 International Drive  
 Rye Brook, NY 10573  
 Toll Free: 1 888.764.7681  
 Phone: 914.934.2075  
 Fax: 914.934.2190  
 MonoSystems.com

