

Cable Tray / Ladder Tray XX-EFBX-XX-L48S

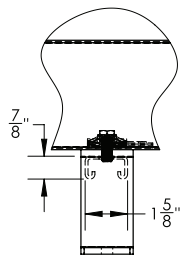
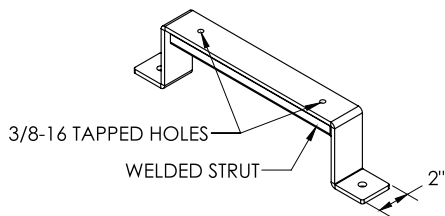
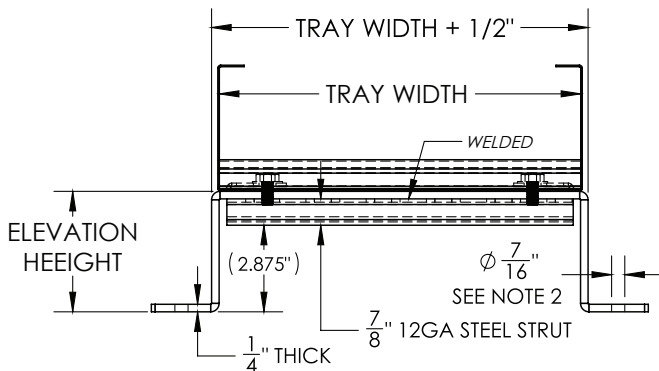
PowerTray™ Accessories

Manufactured by MonoSystems, Inc.

ELEVATED FLOOR BRACKET FOR L-SERIES STEEL POWER TRAY WITH WELDED STRUT FOR UNDER BRACKET

Notes:

- 1.) Sold as each (1-bracket).
- 2.) Mount to floor using $\varnothing 3/8"$ or $\varnothing 7/16"$ hardware (by others).
- 3.) 1-Pair of PowerTray hold down clamps and mounting clamps hardware provided.
- 4.) Uniform load rating of 500lbs.
- 5.) Views for reference - do not scale.



(2X) HOLD DOWN CLAMPS
(2X) 3/8-16 x 3/4" HEX BOLTS
(PROVIDED WITH EACH BRACKET)

L-SERIES
STEEL POWER TRAY
(ORDERED SEPARATELY)

XX-EFBX-XX-L48S
ELEVATED
FLOOR BRACKET

ORDERING DATA EXAMPLE:

XX-EFBX-XX-L48S

MATERIAL / FINISH	ELEVATION HEIGHT	TRAY WIDTH
PG = HRS STEEL PAINTED GRAY	4 = 4" (STANDARD) X = AS REQUESTED	06 = 6"
PW = HRS STEEL PAINTED WHITE		09 = 9"
PB = HRS STEEL PAINTED BLACK	X = AS REQUESTED	12 = 12"
G0 = H.D.G.A.F. STEEL		18 = 18"
Z0 = ZINC PLATED STEEL		24 = 24"
U0 = UNFINISHED/RAW STEEL		30 = 30"
		36 = 36"

4 International Drive
Rye Brook, NY 10573
Toll Free: 1 888.764.7681
Phone: 914.934.2075
Fax: 914.934.2190
MonoSystems.com

