

# Cable Tray / Ladder Tray XX-EFBX-XX-L48

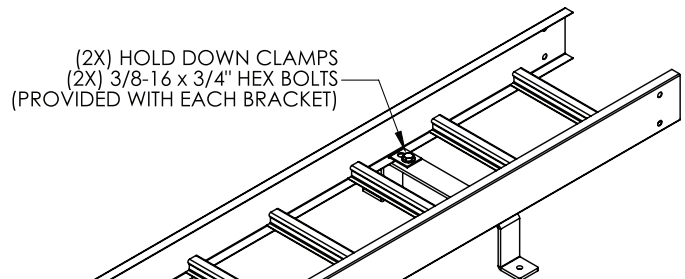
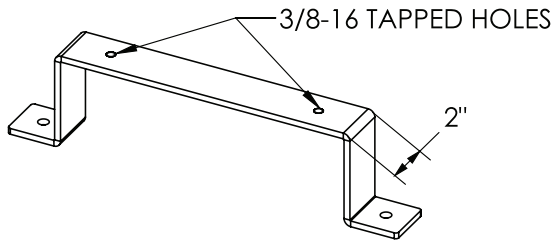
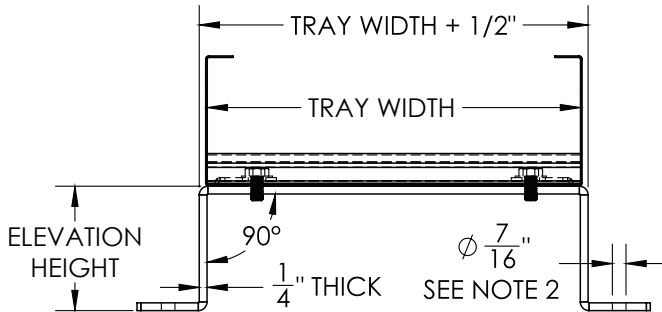
## PowerTray™ Accessories

Manufactured by MonoSystems, Inc.

### ELEVATED FLOOR BRACKET FOR L-SERIES STEEL POWER TRAY

#### Notes:

- 1.) Sold as each (1-bracket).
- 2.) Mount to floor using  $\varnothing 3/8"$  or  $\varnothing 7/16"$  hardware (by others).
- 3.) 1-Pair of PowerTray hold down clamps and mounting clamps hardware provided.
- 4.) Uniform load rating of 500lbs.
- 5.) Views for reference - do not scale.



L-SERIES  
STEEL POWER TRAY  
(ORDERED SEPARATELY)

XX-EFBX-XX-L48  
ELEVATED FLOOR BRACKET

#### ORDERING DATA EXAMPLE:

## XX-EFBX-XX-L48

MATERIAL / FINISH	ELEVATION HEIGHT	TRAY WIDTH
PG = HRS STEEL PAINTED GRAY	9 = 9"	06 = 6"
PW = HRS STEEL PAINTED WHITE	6 = 6"	09 = 9"
PB = HRS STEEL PAINTED BLACK	4 = 4" (STANDARD)	12 = 12"
GO = H.D. G.A.F. STEEL	3 = 3"	18 = 18"
ZO = ZINC PLATED STEEL	2 = 2"	24 = 24"
UO = UNFINISHED/RAW STEEL	X = AS REQUESTED	30 = 30"
		36 = 36"

4 International Drive  
Rye Brook, NY 10573  
Toll Free: 1 888.764.7681  
Phone: 914.934.2075  
Fax: 914.934.2190  
MonoSystems.com

