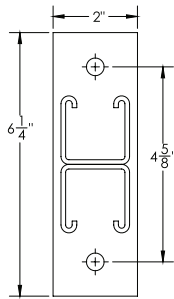
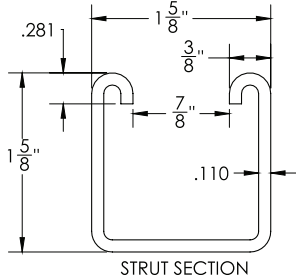


Cable Tray XX-B297-XX

PowerTray™ Accessories
Manufactured in the USA by MonoSystems, Inc.



CANTILEVER BRACKET, DOUBLE CHANNEL



Notes

- 1.) Attach strut bracket using 3/8" hardware (by others).
- 2.) Bracket material: 3/8" thick x 2" steel. Strut material: 12ga. steel.
- 3.) Views for reference - do not scale.



ORDERING DATA EXAMPLE:

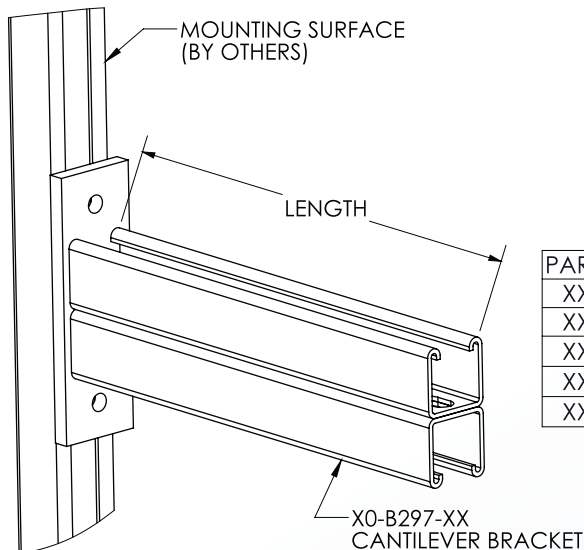
CS-X0-B297-XX

MATERIAL

G = HOT DIPPED
GALVANIZED STEEL
Z = ZINC PLATED
GALVANIZED STEEL

LENGTH

12 = 12"
18 = 18"
24 = 24"
36 = 36"
42 = 42"



PART NUMBER	UNIFORM LOAD	TRAY WIDTH
XX-B297-12	1660 (lbs)	6 & 9
XX-B297-18	1100 (lbs)	12
XX-B297-24	835 (lbs)	18
XX-B297-30	665 (lbs)	24
XX-B297-42	465 (lbs)	36

4 International Drive
Rye Brook, NY 10573
Toll Free: 1 888.764.7681
Phone: 914.934.2075
Fax: 914.934.2190
MonoSystems.com



MonoSystems™
wire management. managed.