

Cable Tray / Ladder Tray XX-X094-X

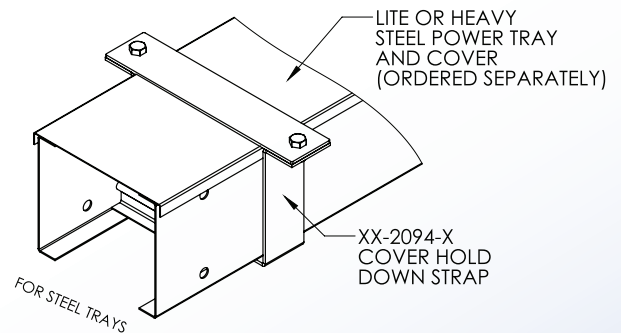
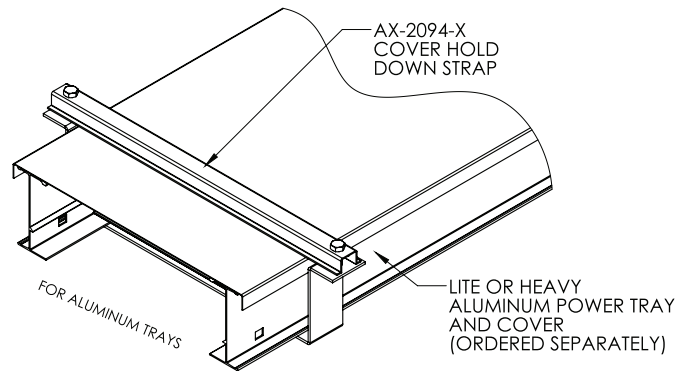
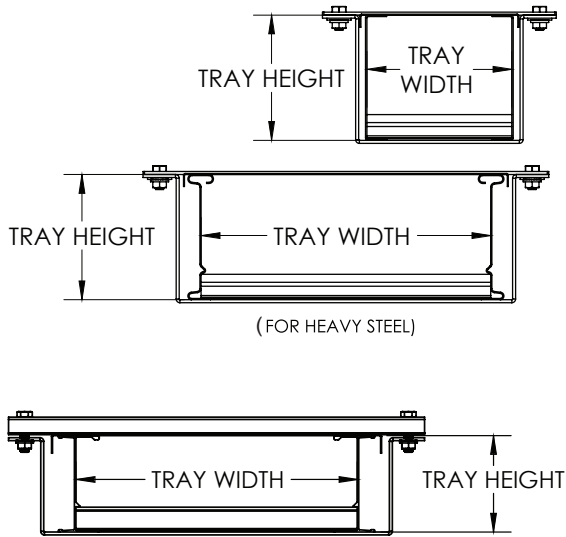
PowerTray™ Accessories

Manufactured by MonoSystems, Inc.

COVER HOLD DOWN STRAP

Notes:

- 1.) Ordered as each. Provided with (2x) 3/8" hex bolts and (2X) 3/8" serrated flanged nuts for securing in place.
- 2.) Recommended for outdoor applications. For tray length of 72" or less, or with horizontal elbows or vertical bends: (2) straps are recommended. For tray length of 120", 144", or with horizontal tees: (3) Straps are recommended.
- 3.) To install, make sure tray cover is centered about tray. Place cover clamps as shown and tighten bolt until snug.
- 4.) Views for reference. Do not scale.



ORDERING DATA EXAMPLE:

XX-X094X

MATERIAL	CABLE TRAY HEIGHT	TRAY SERIES	CABLE TRAY HEIGHT
A = ZINC PLATED STEEL	4 = 4"	1 = "L" LITE SERIES ALUMINUM	06 = 6"
P = PRE-GALV. STEEL	5 = 6"	2 = HEAVY: B,C,D,E SERIES	09 = 9"
G = HOT DIPPED GALV STEEL	6 = 6"	ALUMINUM OR STEEL TRAY	12 = 12"
	7 = 7"		18 = 18"
	(LEAVE BLANK FOR HEAVY STEEL)		24 = 24"
			30 = 30"
			36 = 36"
			42 = 42"
			48 = 48"

4 International Drive
Rye Brook, NY 10573
Toll Free: 1 888.764.7681
Phone: 914.934.2075
Fax: 914.934.2190
MonoSystems.com

