

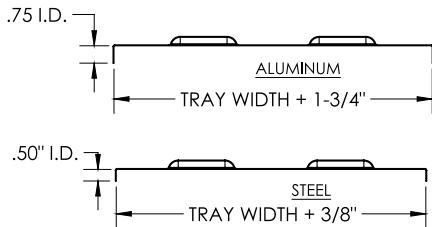
# Cable Tray / Ladder Tray XX-2074-OVXX-XXXX-RAD

## PowerTray™ Fittings

Manufactured in the USA by MonoSystems, Inc.

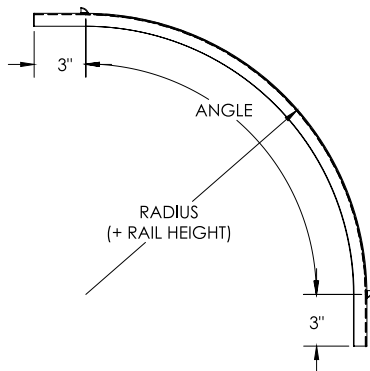


### VENTED FITTING COVER FOR OUTSIDE VERTICAL ELBOW



#### Notes

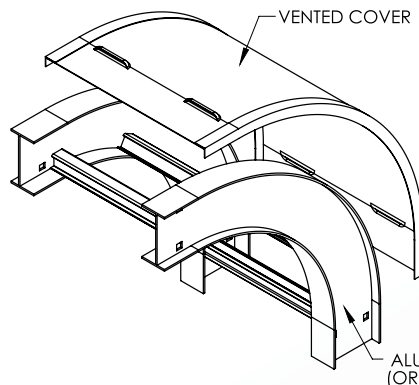
- 1.) Actual vent patten will vary according to size and angle.
- 2.) Views for reference - do not scale.



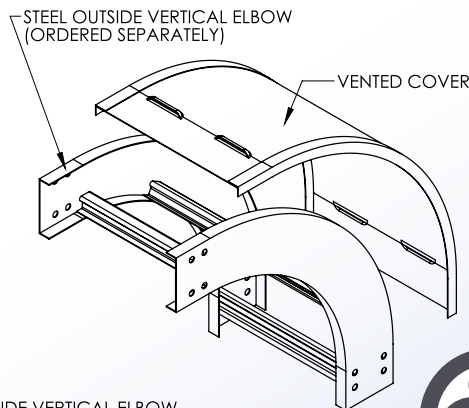
#### ORDERING DATA EXAMPLE:

**XX-2074-OVXX-XX-XX-RAD**

MATERIAL	RAIL HEIGHT	SERIES	COVER TYPE	ANGLE	RADIUS	FITTING WIDTH
A = ALUMINUM	4 = 4" HIGH	2 = SERIES:	074 = VENTED	30 = 30°	12 = 12"	06 = 6" WIDE
P = PRE-GALV STEEL	5 = 5" HIGH	B,C,D	OV = OUTSIDE	45 = 45°	18 = 18"	09 = 9" WIDE
G = HOT DIPPED GALV.	6 = 6" HIGH		ELBOW	60 = 60°	24 = 24"	12 = 12" WIDE
	7 = 7" HIGH			90 = 90°	36 = 36"	18 = 18" WIDE
						24 = 24" WIDE
						30 = 30" WIDE
						36 = 36" WIDE



ALUMINUM OUTSIDE VERTICAL ELBOW  
(ORDERED SEPARATELY)



STEEL OUTSIDE VERTICAL ELBOW  
(ORDERED SEPARATELY)



4 International Drive  
Rye Brook, NY 10573  
Toll Free: 1 888.764.7681  
Phone: 914.934.2075  
Fax: 914.934.2190  
MonoSystems.com

**MonoSystems™**  
wire management. managed.