

Cable Tray / Ladder Tray XX-2072-OVXX-XXXX

PowerTray™ Fittings

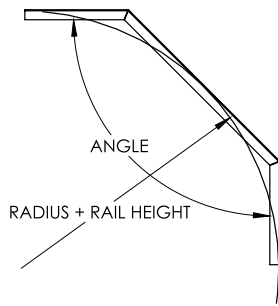
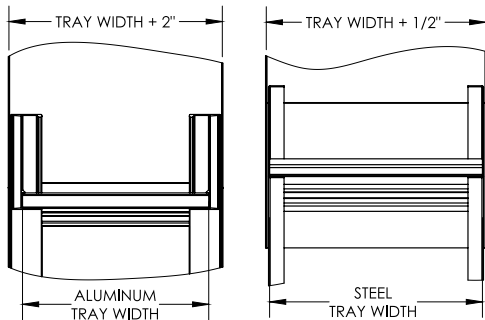
Manufactured in the USA by MonoSystems, Inc.



STANDARD FITTING COVER FOR MITERED OUTSIDE VERTICAL RISERS

Notes

1.) Views for reference - do not scale.

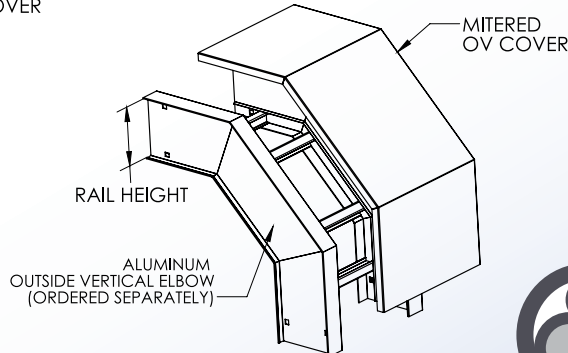
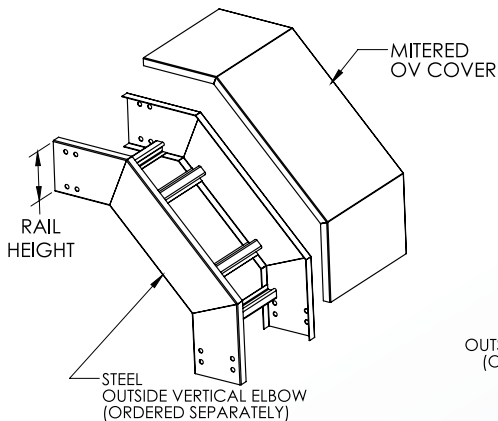


ORDERING DATA EXAMPLE:

XX-2072-OVXX-XXXX

MATERIAL RAIL HEIGHT SERIES COVER TYPE ANGLE RADIUS FITTING WIDTH

A = ALUMINUM	4 = 4" HIGH	2 = SERIES:	072 = FLAT COVER	OV = OUTSIDE	90 = 90°	12 = 12"	06 = 6" WIDE
P = PREGALV STEEL	5 = 5" HIGH	B,C,D		VERTICAL	60 = 60°	18 = 18"	09 = 9" WIDE
G = HDGAF	6 = 6" HIGH			ELBOW	45 = 45°	24 = 24"	12 = 12" WIDE
	7 = 7" HIGH				30 = 30°	36 = 36"	18 = 18" WIDE
							24 = 24" WIDE
							30 = 30" WIDE
							36 = 36" WIDE



4 International Drive
Rye Brook, NY 10573
Toll Free: 1 888.764.7681
Phone: 914.934.2075
Fax: 914.934.2190
MonoSystems.com



MonoSystems™
wire management. managed.