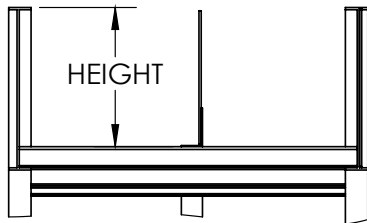
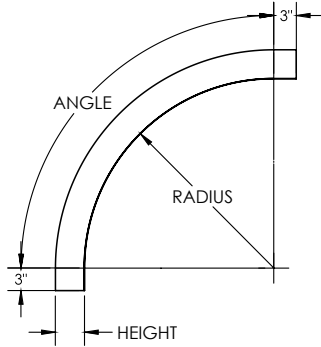


Cable Tray / Ladder Tray XX-2061-XX-XX-RAD

PowerTray™ Accessories
Manufactured in the USA by MonoSystems, Inc.



OUTSIDE VERTICAL RISER DIVIDER STRIP SMOOTH RADIUS



Notes

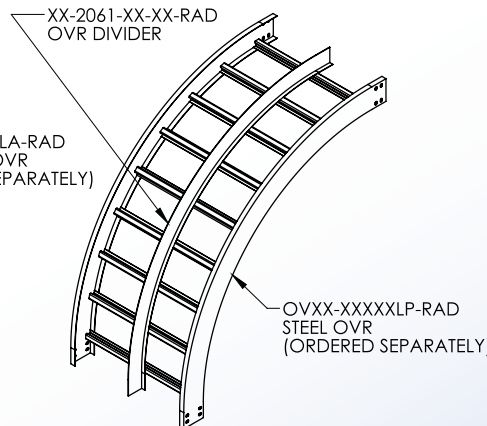
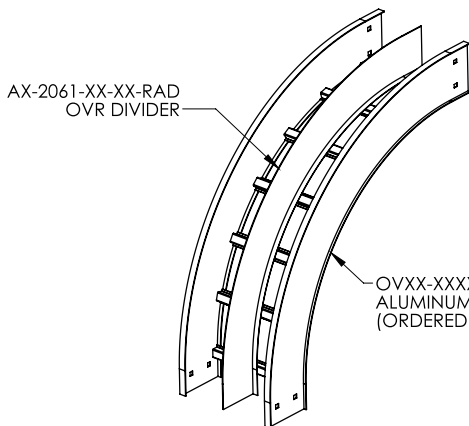
- 1.) Attach divider strip to outside vertical bend using #8 tek screws.
- 3.) Views for reference - do not scale.



ORDERING DATA EXAMPLE:

XX-2061-XX-XX-RAD

MATERIAL	HEIGHT	RADIUS	ANGLE
A = ALUMINUM	4 = 4" (3" DEPTH)	12 = 12"	30
P = PRE-GALV STEEL	5 = 5" (4" DEPTH)	18 = 18"	45
G = HDGAF	6 = 6" (5" DEPTH)	24 = 24"	60
	7 = 7" (6" DEPTH)	36 = 36"	90
		42 = 42"	



OVXX-XXXXXLA-RAD
ALUMINUM OVR
(ORDERED SEPARATELY)

OVXX-XXXXXLP-RAD
STEEL OVR
(ORDERED SEPARATELY)

4 International Drive
Rye Brook, NY 10573
Toll Free: 1 888.764.7681
Phone: 914.934.2075
Fax: 914.934.2190
MonoSystems.com



MonoSystems™
wire management. managed.™