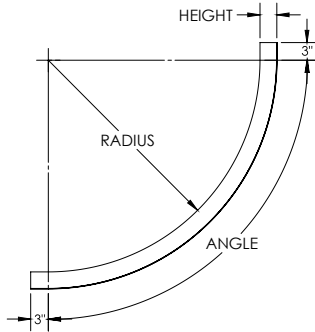


# Cable Tray / Ladder Tray XX-2059-XX-XX-RAD

PowerTray™ Accessories  
Manufactured in the USA by MonoSystems, Inc.

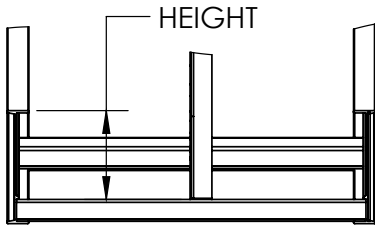


## INSIDE VERTICAL RISER DIVIDER STRIP SMOOTH RADIUS



### Notes

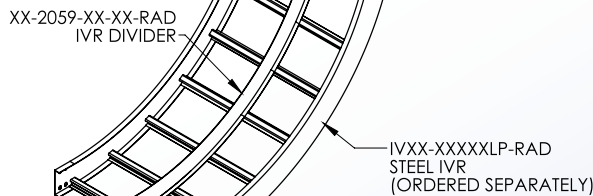
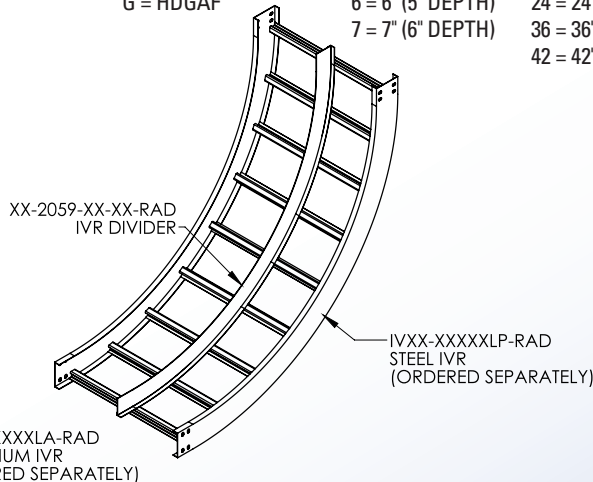
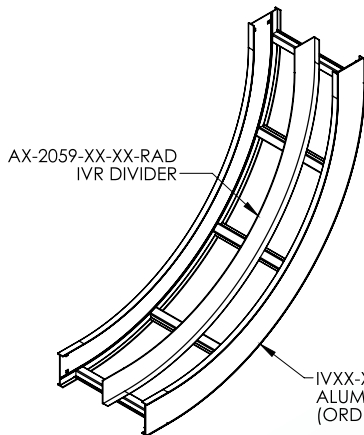
- 1.) Attach divider strip to inside vertical bend using #8 tek screws.
- 2.) Views for reference - do not scale.



### ORDERING DATA EXAMPLE:

## XX-2059-XX-XX-RAD

MATERIAL	HEIGHT	RADIUS	ANGLE
A = ALUMINUM	4 = 4" (3" DEPTH)	12 = 12"	30
P = PRE-GALV STEEL	5 = 5" (4" DEPTH)	18 = 18"	45
G = HDGAF	6 = 6" (5" DEPTH)	24 = 24"	60
	7 = 7" (6" DEPTH)	36 = 36"	90
		42 = 42"	



4 International Drive  
Rye Brook, NY 10573  
Toll Free: 1 888.764.7681  
Phone: 914.934.2075  
Fax: 914.934.2190  
MonoSystems.com



**MonoSystems**  
wire management. managed.