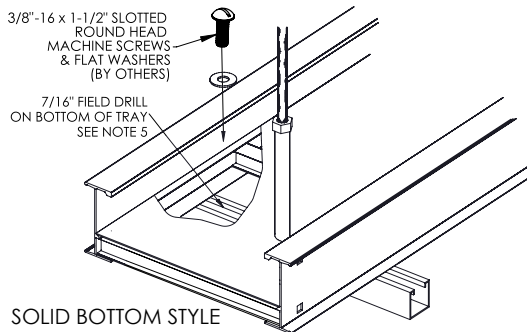
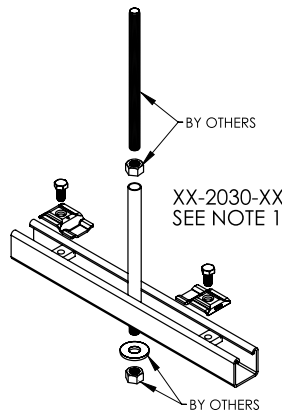
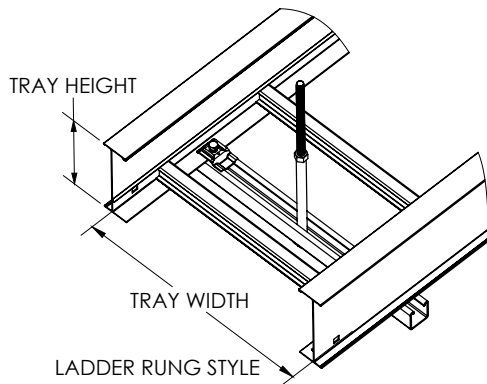


Cable Tray / Ladder Tray XX-2030-XX

PowerTray™ Accessories
Manufactured by MonoSystems, Inc.

CENTER HANGER SUPPORT



Notes

- 1.) Supports ordered as each. Includes:
(1) Center hanger strut support with welded pipe
(2) 3/8"-16 X 3/4" hex bolts, (2) 3/8"-16 spring nuts
(2) X0-1208 hold-down/guide clamps.

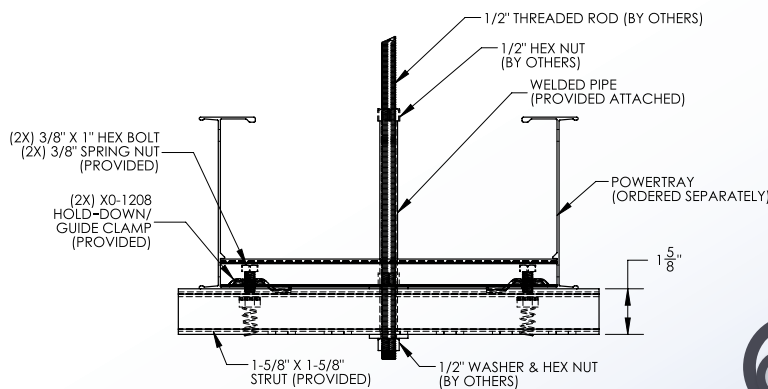
Instructions For Solid Bottom Insert Tray:

- 2.) Field drill \varnothing 1" hole in center of tray where center tray hanger pipe will be inserted.
- 3.) Install spring nuts in strut portion of center hanger.
- 4.) Field drill \varnothing 7/16" holes in solid bottom insert 1" from inside tray edge.
- 5.) Install bolt thru solid bottom insert and thread into spring nut until snug.
- 6.) Secure center hanger with 1/2" hardware as shown. 1/2" threaded rod and 1/2" hardware (by others).
- 7.) Views for reference. Do not scale.

ORDERING DATA EXAMPLE:

XX-2030-XX

MATERIAL	TRAY HEIGHT	TRAY WIDTH
A = ALUMINUM	4 = 4"	6 = 6" 24 = 24"
Z = ZINC PLATED	5 = 5"	9 = 9" 30 = 30"
G = STEEL HDGAF	6 = 6"	12 = 12" 36 = 36"
SS4 = 304 STAINLESS	7 = 7"	18 = 18"



4 International Drive
Rye Brook, NY 10573
Toll Free: 1 888.764.7681
Phone: 914.934.2075
Fax: 914.934.2190
MonoSystems.com

