

Cable Tray / Ladder Tray X0-X055-H



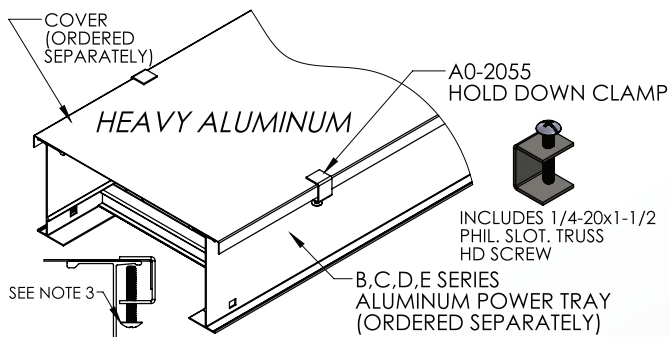
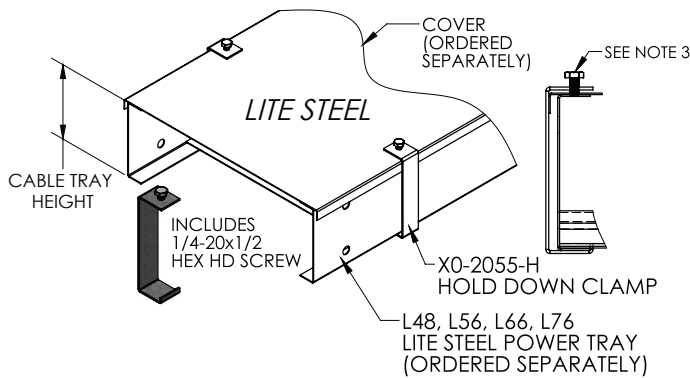
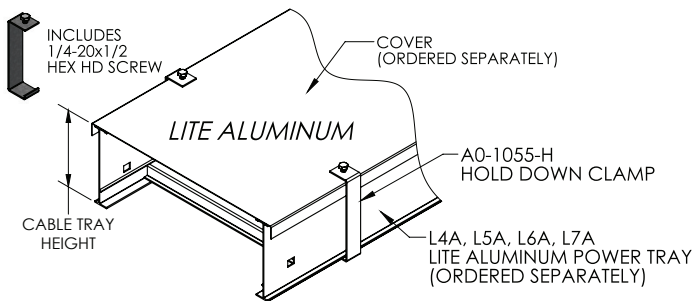
PowerTray™ Accessories

Manufactured by MonoSystems, Inc.

COVER HOLD DOWN CLAMPS

Notes:

- 1.) Ordered as each. Includes mounting screw.
- 2.) Recommended for indoor applications only. For outdoor applications see wrap around cover clamps, P/N: XX-2094-XX.
- 3.) To install, make sure tray cover is centered about tray. Place cover clamps as shown and tighten bolt until snug.
- 4.) Views for reference. Do not scale.



ORDERING DATA EXAMPLE:

X0-X055-H

MATERIAL

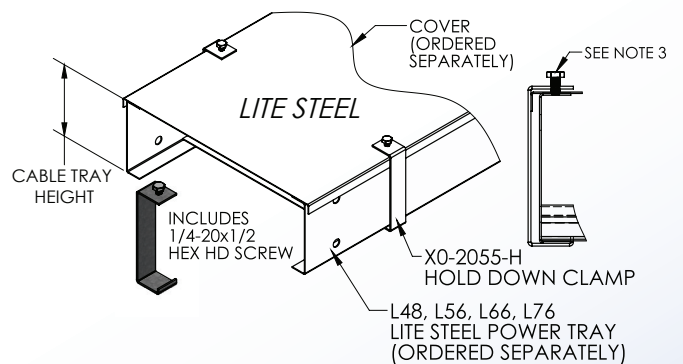
A = ZINC PLATED STEEL (FOR ALUMINUM TRAY)
P = PRE-GALV. STEEL
G = HOT DIPPED GALV STEEL.

TRAY SERIES

1 = "L" LITE SERIES ALUMINUM
2 = HEAVY: B,C,D,E SERIES ALUMINUM OR STEEL TRAY

CABLE TRAY HEIGHT

4 = 4"
5 = 6"
6 = 6"
7 = 7"
(LEAVE BLANK FOR HEAVY STEEL)



4 International Drive
Rye Brook, NY 10573
Toll Free: 1 888.764.7681
Phone: 914.934.2075
Fax: 914.934.2190
MonoSystems.com

