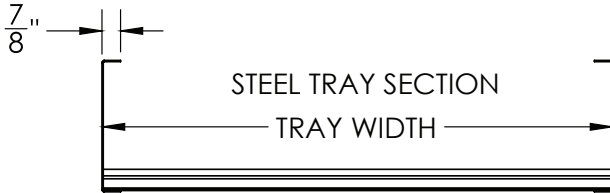


Cable Tray / Ladder Tray X0-X074-HT-XXXX

PowerTray™ Fittings

Manufactured by MonoSystems, Inc.

VENTED STEEL FLAT COVER, FOR HORIZONTAL TEE



Notes:

- 1.) Actual vent pattern will vary according to size.
- 2.) Views for reference - do not scale.



ORDERING DATA EXAMPLE:

X0-X074-HT-XX-XX

MATERIAL

P = PRE-GALV
STEEL
G = H.D.G.A.F.

COVER TYPE

2 = B, C, & D SERIES
VENTED FLAT COVER
1 = L-SERIES VENTED FLAT COVER

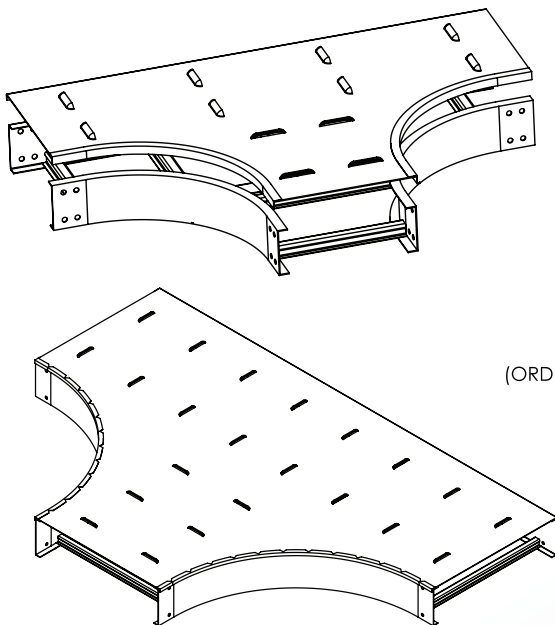
HE = HORIZONTAL
TEE

RADIUS

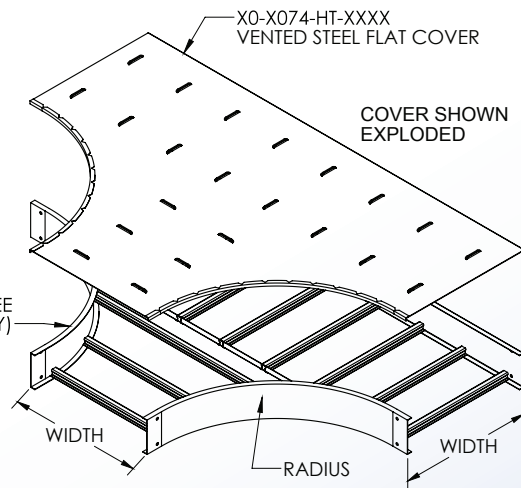
12 = 12"
18 = 18"
24 = 24"
36 = 36"

FITTING WIDTH

06 = 6"
09 = 9"
12 = 12"
18 = 18"
24 = 24"
30 = 30"
36 = 36"



HORIZONTAL TEE
(ORDERED SEPARATELY)



4 International Drive
Rye Brook, NY 10573
Toll Free: 1 888.764.7681
Phone: 914.934.2075
Fax: 914.934.2190
MonoSystems.com

