

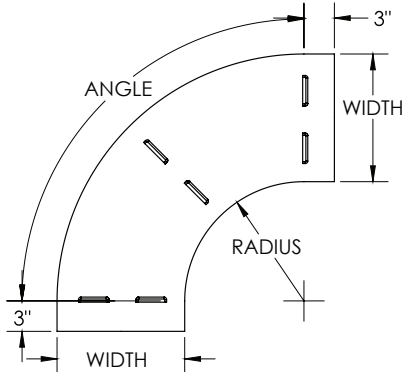
Cable Tray / Ladder Tray X0-X074-HEXX-XXXX

PowerTray™ Fittings
Manufactured by MonoSystems, Inc.

VENTED FITTING COVER FOR HORIZONTAL ELBOWS

Notes:

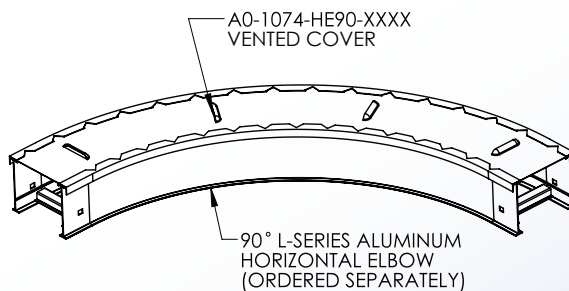
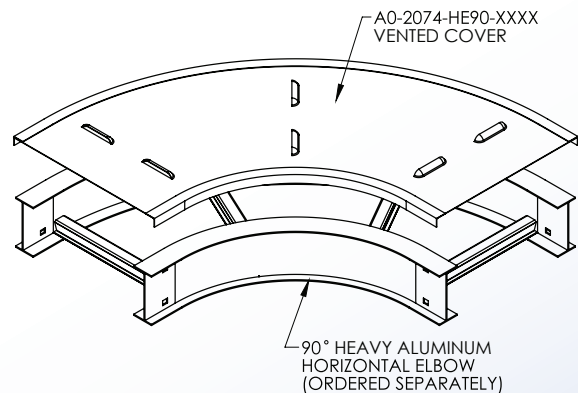
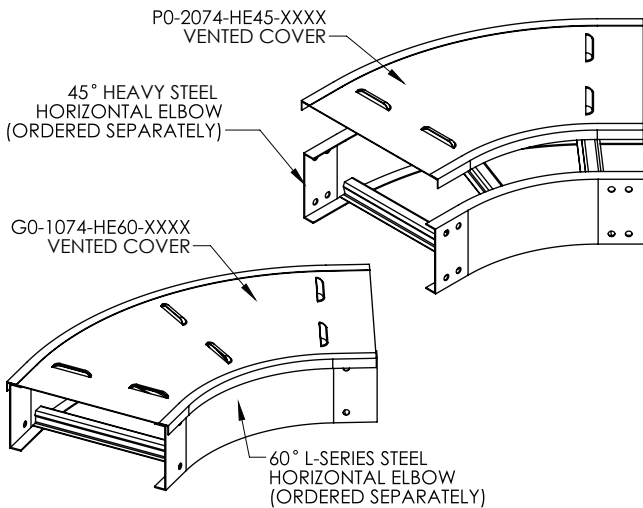
- 1.) Actual vent pattern will vary according to size and angle.
- 2.) Views for reference - do not scale.



ORDERING DATA EXAMPLE:

X0-X074-HEXX-XXXX

MATERIAL	COVER TYPE	HE = HORIZONTAL ELBOW	ANGLE	RADIUS	FITTING WIDTH
A = ALUMINUM	2 = B, C, & D SERIES		30 = 30		06 = 6"
P = PRE-GALV STEEL	VENTED FLAT COVER		45 = 45	12 = 12"	09 = 9"
G = H.D.G.A.F.	1 = L-SERIES VENTED FLAT COVER		60 = 60	18 = 18"	12 = 12"
			90 = 90	24 = 24"	18 = 18"
				36 = 36"	24 = 24"
					30 = 30"
					36 = 36"



4 International Drive
Rye Brook, NY 10573
Toll Free: 1 888.764.7681
Phone: 914.934.2075
Fax: 914.934.2190
MonoSystems.com

