

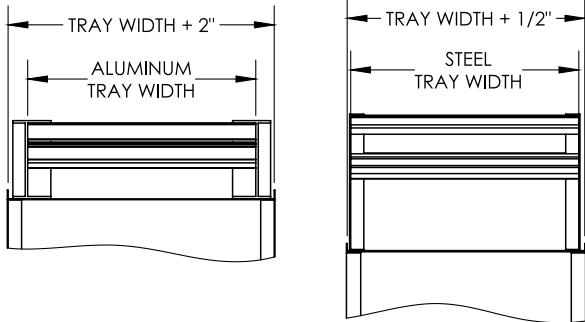
Cable Tray / Ladder Tray X0-X072-IVXX-XXXX-RAD

PowerTray™ Fittings

Manufactured in the USA by MonoSystems, Inc.

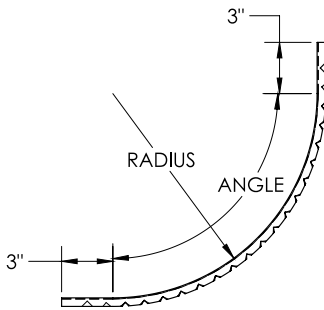


STANDARD FITTING COVER FOR B,C,D, AND "L" SERIES RADIUS INSIDE VERTICAL RISERS



Notes

1.) Views for reference - do not scale.



ORDERING DATA EXAMPLE:

X 0 - X 072 - IV XX - XX XX - RAD

MATERIAL

A = ALUMINUM
P = PRE-GALV STEEL
G = HDGAF

SERIES

1 = SERIES: L
2 = SERIES: B,C,D

COVER TYPE

072 = STANDARD
IV = INSIDE
VERTICAL
ELBOW

ANGLE

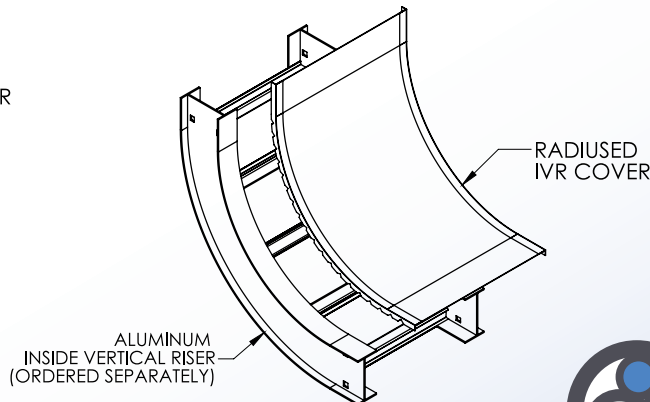
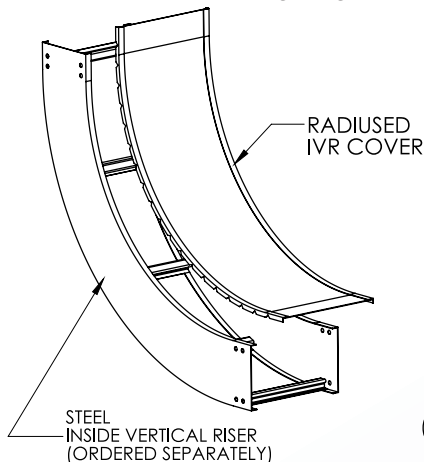
90 = 90°
60 = 60°
45 = 45°
30 = 30°

RADIUS

12 = 12"
18 = 18"
24 = 24"
36 = 36"

FITTING WIDTH

06 = 6" WIDE
09 = 9" WIDE
12 = 12" WIDE
18 = 18" WIDE
24 = 24" WIDE
30 = 30" WIDE
36 = 36" WIDE



4 International Drive
Rye Brook, NY 10573
Toll Free: 1 888.764.7681
Phone: 914.934.2075
Fax: 914.934.2190
MonoSystems.com



MonoSystems™
wire management. managed.