

Cable Tray / Ladder Tray X0-X055-H

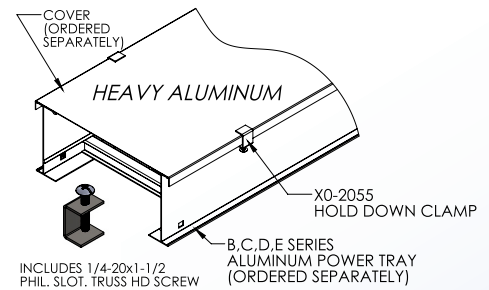
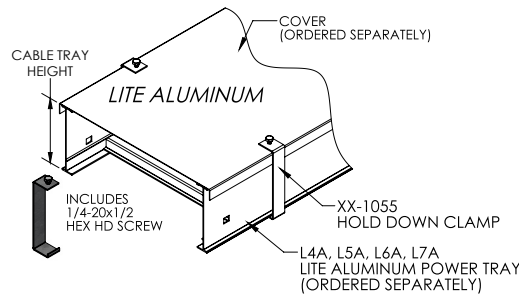
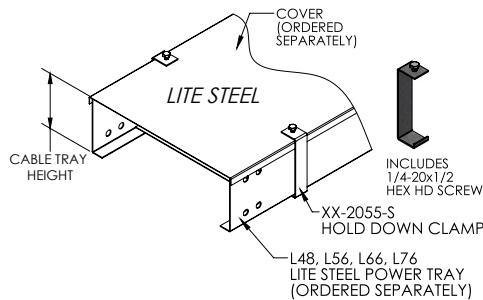
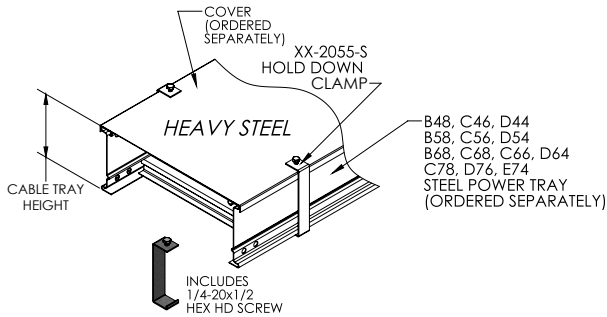
PowerTray™ Accessories
Manufactured in the USA by MonoSystems, Inc.



COVER HOLD DOWN CLAMPS

Notes

- 1.) Ordered as each. Includes mounting screw.
- 2.) Views for reference - do not scale.



ORDERING DATA EXAMPLE:

X0-X055-H

MATERIAL

Z = ZINC PLATED STEEL
(FOR ALUMINUM TRAY)
P = PRE-GALV. STEEL
G = HOT DIPPED GALV STEEL

TRAY SERIES

1 = "L" LITE SERIES ALUMINUM
2 = HEAVY: B,C,D,E SERIES
ALUMINUM OR STEEL TRAY

CABLE TRAY HEIGHT

4 = 4" HIGH
5 = 6" HIGH
6 = 6" HIGH
7 = 7" HIGH
(LEAVE BLANK
FOR HEAVY STEEL)

4 International Drive
Rye Brook, NY 10573
Toll Free: 1 888.764.7681
Phone: 914.934.2075
Fax: 914.934.2190
MonoSystems.com



MonoSystems
wire management. managed.