

Cable Tray / Ladder Tray X0-X052-XX

PowerTray™ Fittings

Manufactured by MonoSystems, Inc.

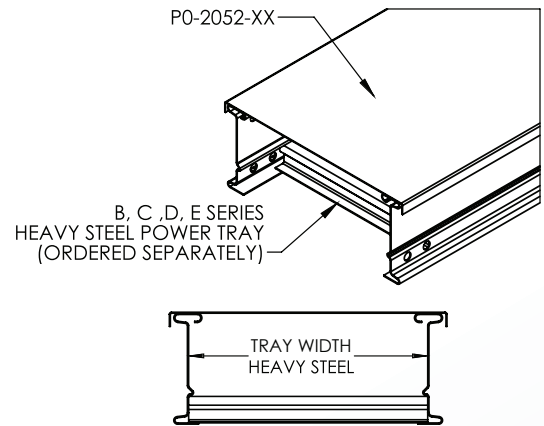
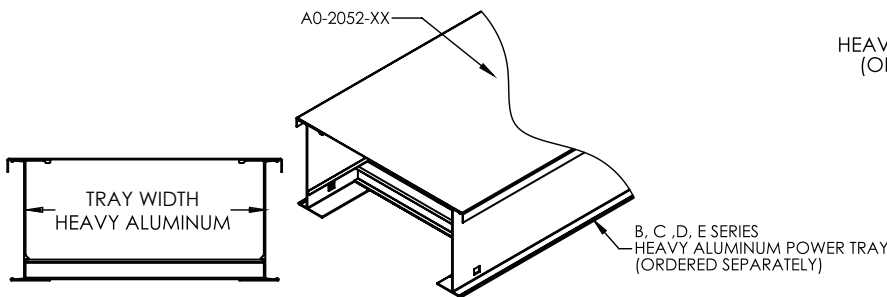
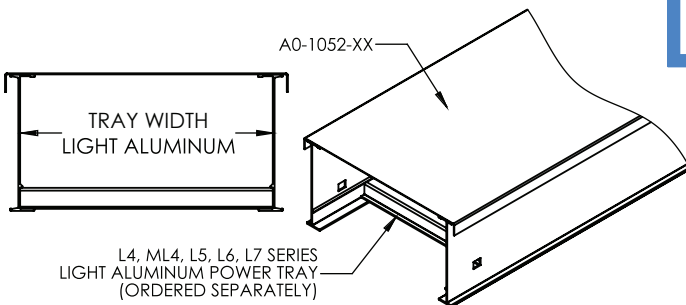
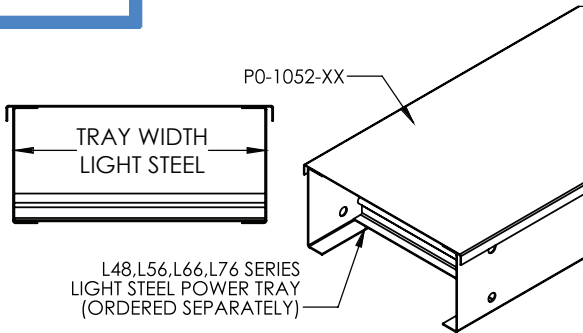


STANDARD FLANGED COVER FOR B,C,D, AND "L" SERIES TRAY

Notes:

- 1.) Use to enclose cable tray and protect cable and wiring from damage or debris.
- 2.) Cover clamps are available and ordered separately.
- 3.) Additional cover styles such as vented, peaked, diamond plate, and others are available. Speak with Monosystems for more information.
- 4.) Views for reference - do not scale.

* L-series covers are offered for tray lengths up to 36" wide. B, C, and D series covers are offered for tray lengths up to 42" wide.



ORDERING DATA EXAMPLE:

X0-X 052-XX-XX

MATERIAL	SERIES	TRAY WIDTH	LENGTH
A = ALUMINUM	1 = SERIES: L	06 = 6"	10 = 120" [10FT]
P = PREGALV STEEL	2 = SERIES: B,C,D	09 = 9"	12 = 144" [12FT]
G = HDGAF		12 = 12"	
		18 = 18"	
		24 = 24"	
		30 = 30"	
		36 = 36"	
		42 = 42"	

4 International Drive
Rye Brook, NY 10573
Toll Free: 1 888.764.7681
Phone: 914.934.2075
Fax: 914.934.2190
MonoSystems.com

