

Cable Tray / Ladder Tray X0-X051-XX

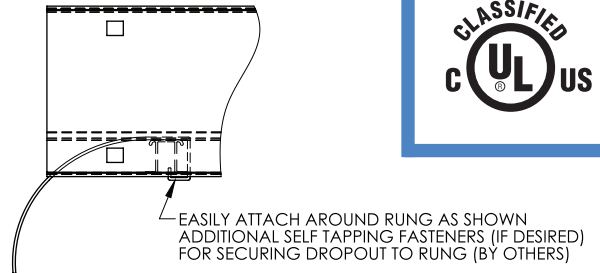
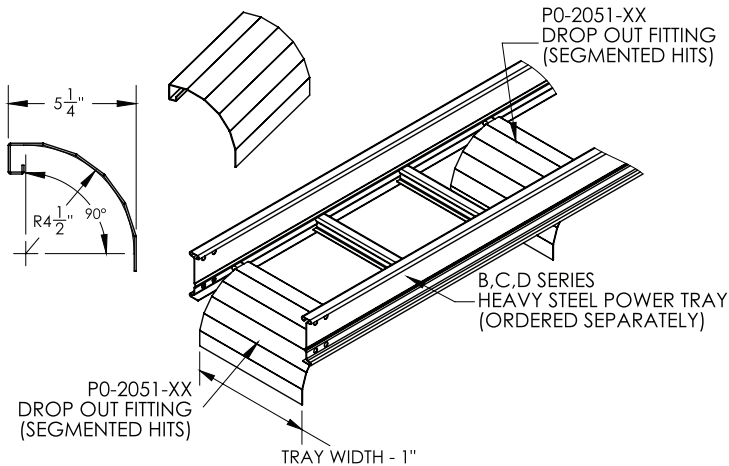
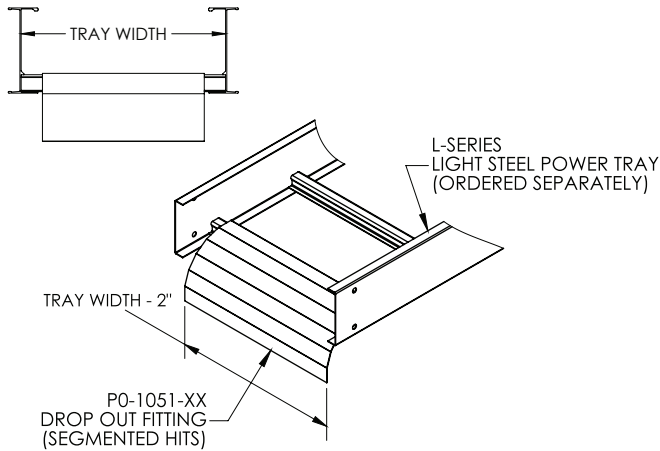
PowerTray™ Accessories

Manufactured by MonoSystems, Inc.

DROP OUT

Notes:

- 1.) Provides a smooth radiused exit from cable tray preventing damage to wiring or cable.
- 2.) A0-X051 material: 0.080" thick 6063 aluminum P0-X051 material: 16GA pre-galv. steel
- 3.) Install over rung, fasteners (by others).
- 4.) For heavy aluminum no-rung drop-out see P/N: A0-2051-XX-BTD-V2.
- 5.) Views for reference - do not scale.



ORDERING DATA EXAMPLE:

X0-X051-XX

MATERIAL

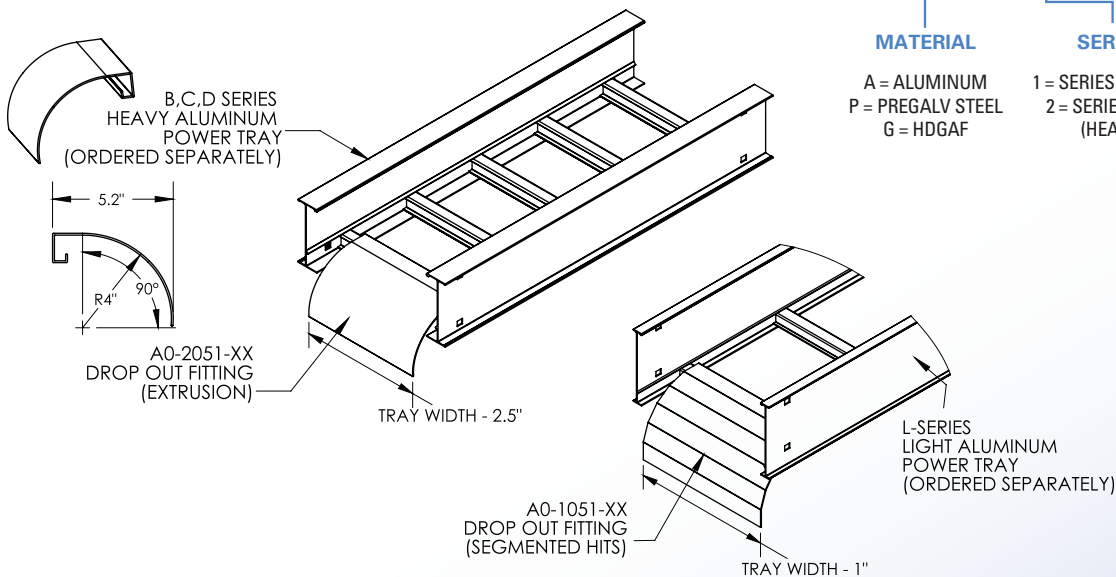
A = ALUMINUM
P = PREGALV STEEL
G = HDGAF

SERIES

1 = SERIES: L (LIGHT)
2 = SERIES: B,C,D (HEAVY)

TRAY WIDTH

6 = FOR 6" WIDE
9 = FOR 9" WIDE
12 = FOR 12" WIDE
18 = FOR 18" WIDE
24 = FOR 24" WIDE
30 = FOR 30" WIDE
36 = FOR 36" WIDE
48 = FOR 48" WIDE



4 International Drive
Rye Brook, NY 10573
Toll Free: 1 888.764.7681
Phone: 914.934.2075
Fax: 914.934.2190
MonoSystems.com

