

# Cable Tray / Ladder Tray

## X0-2101-X-PR

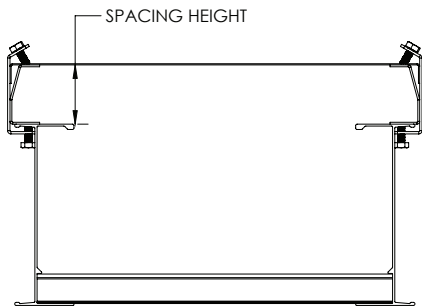
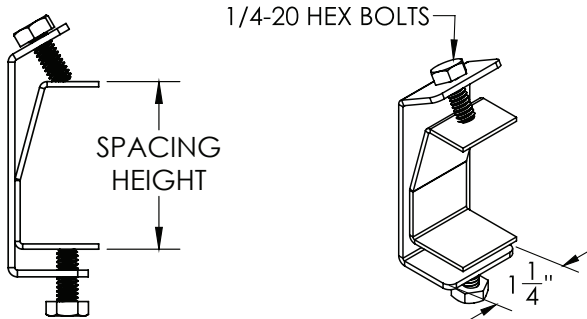
## PowerTray™ Accessories

Manufactured by MonoSystems, Inc.

### POWER TRAY ELEVATED COVER CLAMP FOR HEAVY ALUMINUM POWER TRAY

#### Notes:

- 1.) Solid as 1-pair (2-hold down clamps).  
Each clamp includes (2) 1/4-20 hex head mounting bolt.
- 2.) Recommended for indoor use applications.  
For indoor use: 3-pairs (6 total) per 12' tray section
- 3.) For use with flat, vented, peaked, 2 to 3 peaked or peaked side vented cover.
- 4.) Views for reference - do not scale.



#### ORDERING DATA EXAMPLE:

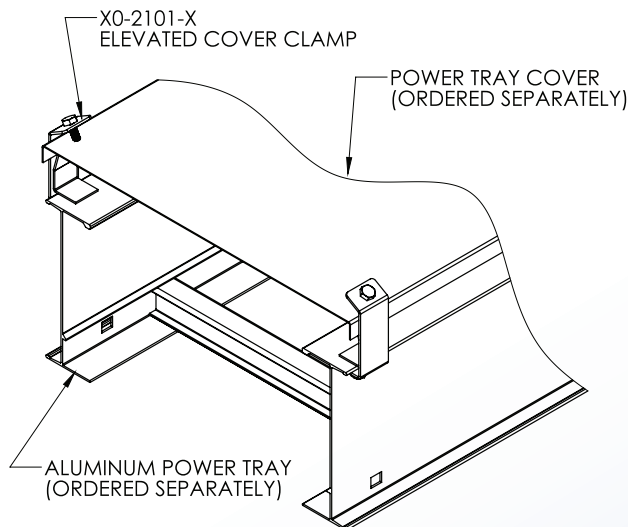
**X0-2101-X-PR**

#### MATERIAL

A = ALUMINUM  
G = HOT DIPPED GALV.  
Z = ZINC PLATED  
SS4 = STAINLESS STEEL 304

#### SPACING HEIGHT

1 = 1"  
2 = 2"  
3 = 3"



4 International Drive  
Rye Brook, NY 10573  
Toll Free: 1 888.764.7681  
Phone: 914.934.2075  
Fax: 914.934.2190  
MonoSystems.com

