

Cable Tray / Ladder Tray

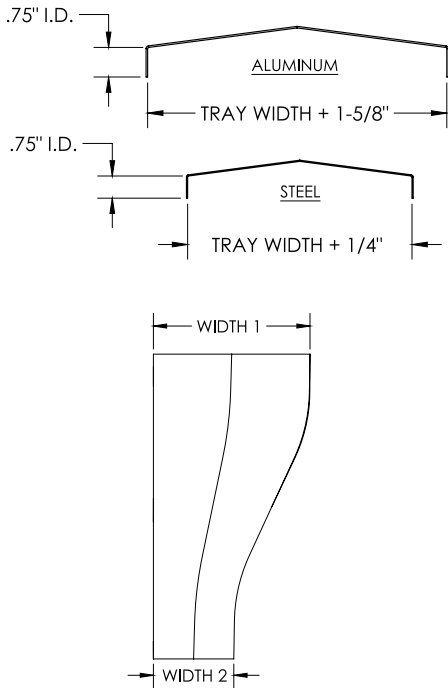
X0-2073-RR-XXXX

PowerTray™ Fittings

Manufactured in the USA by MonoSystems, Inc.



PEAKED FITTING COVER FOR RIGHT REDUCER



Notes

1.) Views for reference - do not scale.



ORDERING DATA EXAMPLE:

X0-2 073-RR-XX XX

MATERIAL

A = ALUMINUM
P = PRE- GALV
STEEL
G = HDGAF

SERIES

2 = SERIES:
B,C,D

COVER TYPE

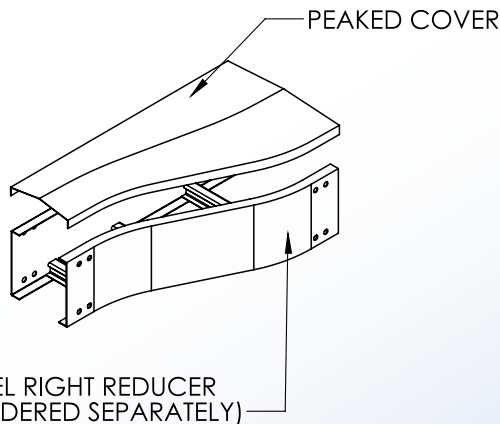
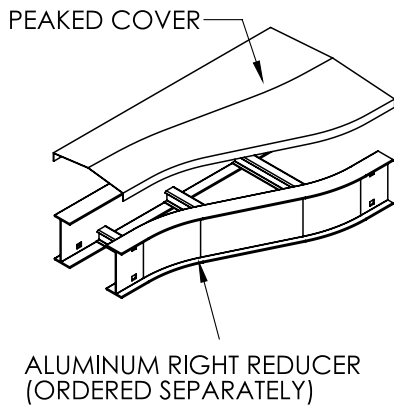
073 = PEAKED
RR = RIGHT
REDUCER

WIDTH 1

09 = 9" WIDE
12 = 12" WIDE
18 = 18" WIDE
24 = 24" WIDE
30 = 30" WIDE
36 = 36" WIDE

WIDTH 2

06 = 6" WIDE
09 = 9" WIDE
12 = 12" WIDE
18 = 18" WIDE
24 = 24" WIDE
30 = 30" WIDE
36 = 36" WIDE



4 International Drive
Rye Brook, NY 10573
Toll Free: 1 888.764.7681
Phone: 914.934.2075
Fax: 914.934.2190
MonoSystems.com



MonoSystems™
wire management. managed.™