

Cable Tray / Ladder Tray

XO-2073-HT-XXXX

PowerTray™ Fittings

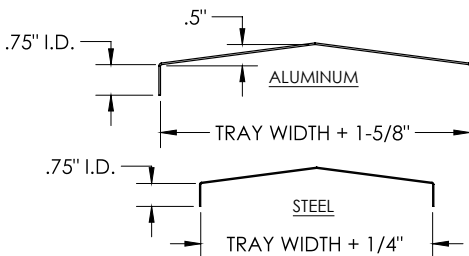
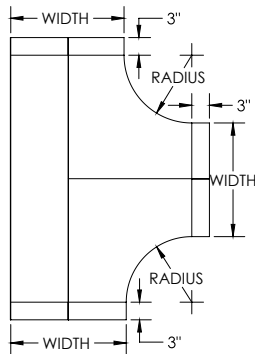
Manufactured in the USA by MonoSystems, Inc.



PEAKED FITTING COVER FOR HORIZONTAL TEE

Notes

1.) Views for reference - do not scale.



UL CLASSIFIED AS A
GROUNDING CONDUCTOR

ORDERING DATA EXAMPLE:

XO-2073-HT-XXXX

| MATERIAL | SERIES | COVER TYPE | RADIUS | FITTING WIDTH |
|----------|--------|------------|--------|---------------|
|----------|--------|------------|--------|---------------|

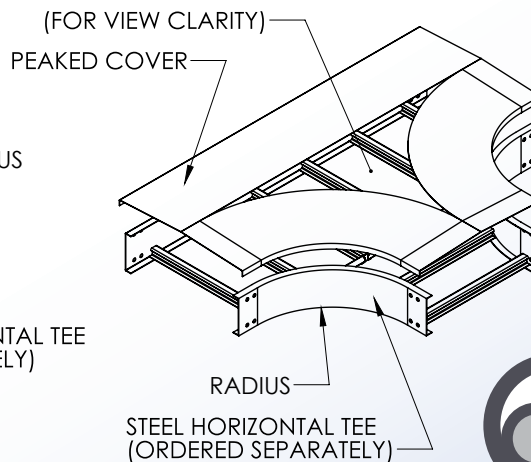
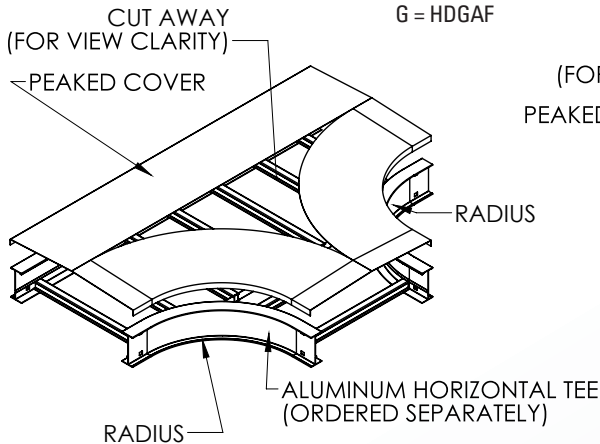
A = ALUMINUM
P = PRE-GALV
G = HDGAF

2 = SERIES:
B,C,D

073 = PEAKED
HT = HORIZONTAL
TEE

12 = 12"
18 = 18"
24 = 24"
36 = 36"

06 = 6" WIDE
09 = 9" WIDE
12 = 12" WIDE
18 = 18" WIDE
24 = 24" WIDE
30 = 30" WIDE
36 = 36" WIDE



4 International Drive
Rye Brook, NY 10573
Toll Free: 1 888.764.7681
Phone: 914.934.2075
Fax: 914.934.2190
MonoSystems.com



MonoSystems™
wire management. managed.