

Cable Tray / Ladder Tray

X0-2072-EHT-XXXX-XX

PowerTray™ Fittings

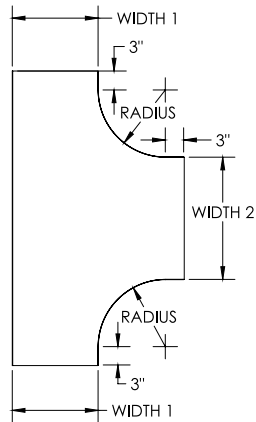
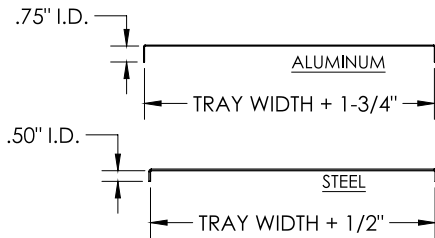
Manufactured in the USA by MonoSystems, Inc.



FLAT FITTING COVER FOR EXPANDING HORIZONTAL TEE

Notes

1.) Views for reference - do not scale.



ORDERING DATA EXAMPLE:

X0-2072-EHT-XX W1-W2

MATERIAL

A = ALUMINUM
P = PRE-GALV STEEL
G = HOT DIPPED GALV.

SERIES

2 = SERIES:
B, C, D

COVER TYPE

072 = FLAT
COVER

EHT = EXPANDING
HORIZONTAL
TEE

RADIUS

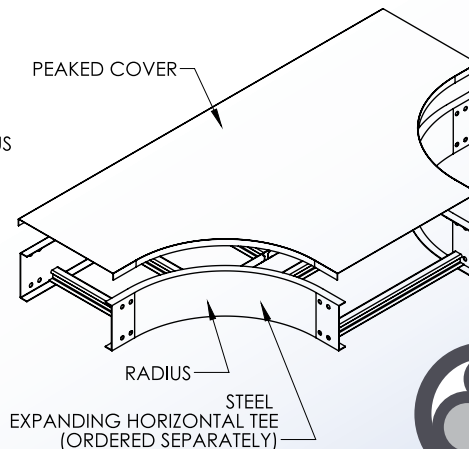
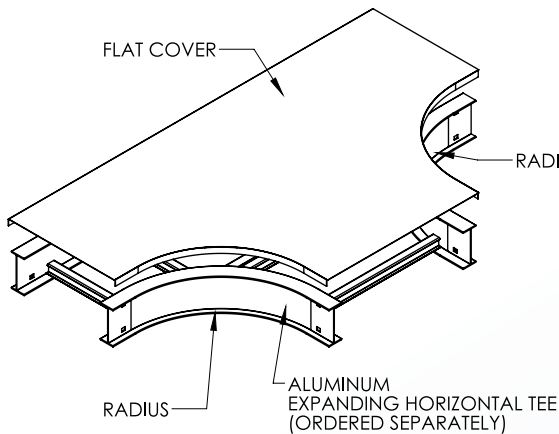
12 = 12"
18 = 18"
24 = 24"
36 = 36"

WIDTH 1

06 = 6" WIDE
09 = 9" WIDE
12 = 12" WIDE
18 = 18" WIDE
24 = 24" WIDE
30 = 30" WIDE
36 = 36" WIDE

WIDTH 2

09 = 9" WIDE
12 = 12" WIDE
18 = 18" WIDE
24 = 24" WIDE
30 = 30" WIDE
36 = 36" WIDE
42 = 42" WIDE



4 International Drive
Rye Brook, NY 10573
Toll Free: 1 888.764.7681
Phone: 914.934.2075
Fax: 914.934.2190
MonoSystems.com



MonoSystems™
wire management. managed.