

Cable Tray / Ladder Tray

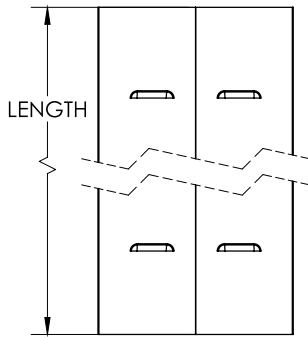
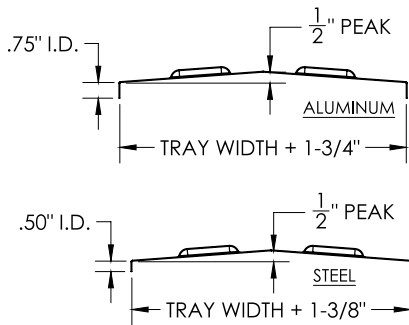
X0-2053-XX-V

PowerTray™ Fittings

Manufactured in the USA by MonoSystems, Inc.



PEAKED VENTED STRAIGHT LENGTH TRAY COVER - B,C,D SERIES TRAY



Notes

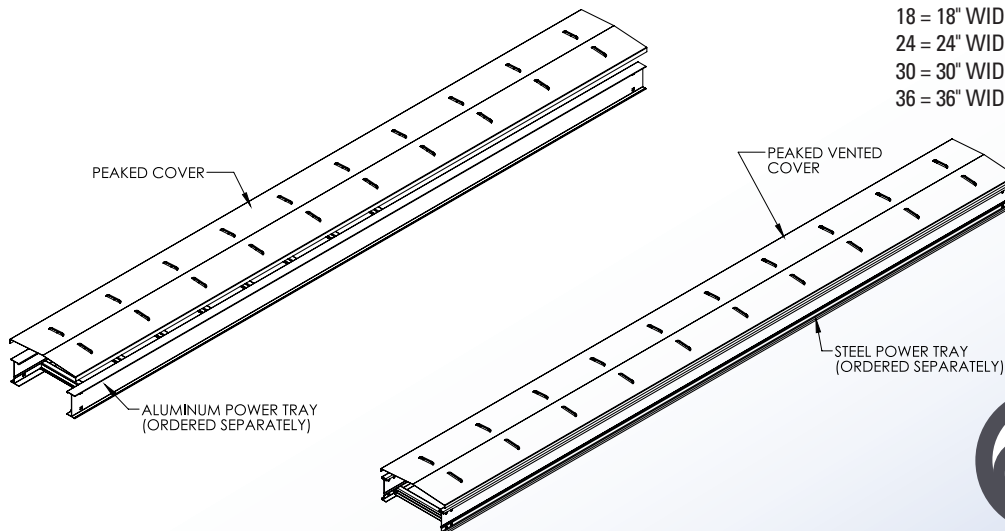
- 1.) Actual vent pattern will vary according to size.
- 2.) Views for reference - do not scale.



ORDERING DATA EXAMPLE:

X0-2053-XX-XX-V

MATERIAL	SERIES	COVER TYPE	TRAY WIDTH	LENGTH	VENTED
A = ALUMINUM P = PRE-GALV STEEL G = HOT DIPPED GALV.	2 = SERIES: B,C,D	053 = PEAKED	06 = 6" WIDE 09 = 9" WIDE 12 = 12" WIDE 18 = 18" WIDE 24 = 24" WIDE 30 = 30" WIDE 36 = 36" WIDE	10 = 120" [10FT] 12 = 144" [12FT]	VENTED



4 International Drive
Rye Brook, NY 10573
Toll Free: 1 888.764.7681
Phone: 914.934.2075
Fax: 914.934.2190
MonoSystems.com



MonoSystems
wire management. managed.