

# Cable Tray / Ladder Tray X0-2027-X

PowerTray™ Accessories

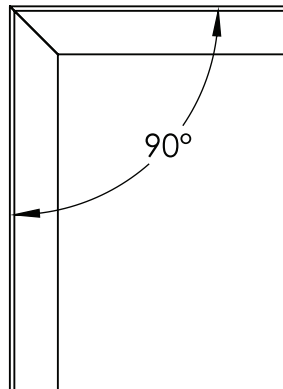
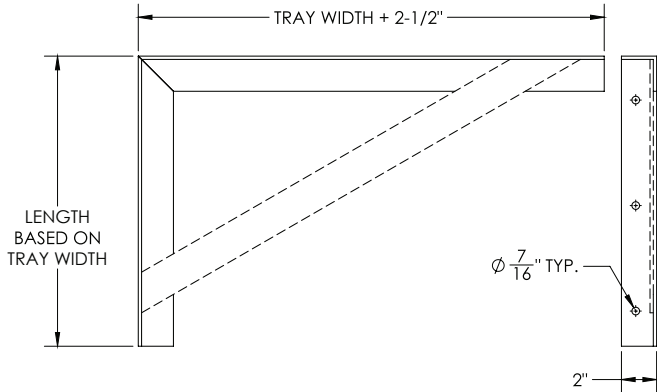
Manufactured in the USA by MonoSystems, Inc.



## WALL SUPPORT BRACKET

### Notes

- 1.) Ordered as each.
- 2.) Bracket material: 3/16" steel or 1/4" aluminum.
- 3.) Mounting and support hardware (by others).
- 4.) Max. Uniform load 600lbs.
- 5.) Views for reference - Do not scale.



### ORDERING DATA EXAMPLE:

**X0-2027-XX**



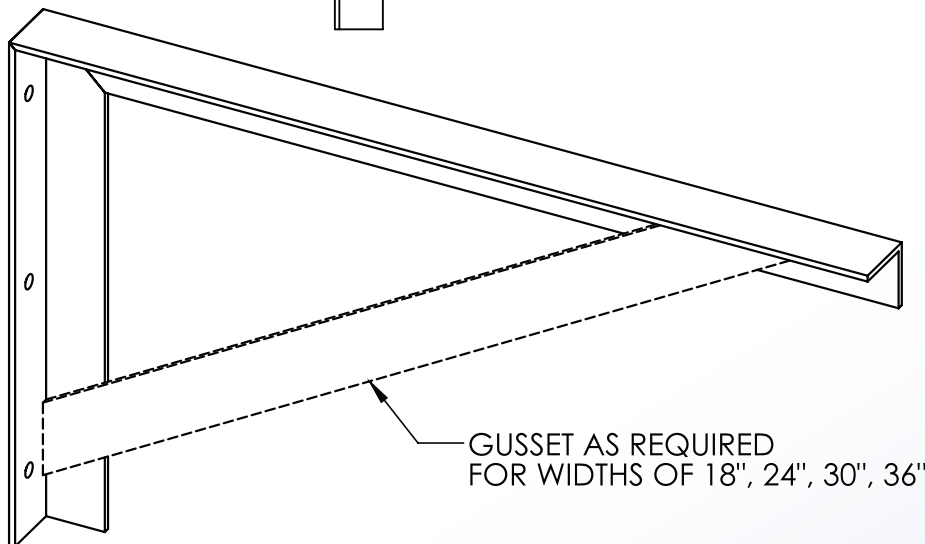
#### MATERIAL

G = H.D.G.A.F.  
STEEL  
Z = ZINC PLATED  
STEEL  
A = ALUMINUM



#### SERIES

06 = 6"  
09 = 9"  
12 = 12"  
18 = 18"  
24 = 24"  
30 = 30"  
36 = 36"



4 International Drive  
Rye Brook, NY 10573  
Toll Free: 1 888.764.7681  
Phone: 914.934.2075  
Fax: 914.934.2190  
MonoSystems.com

