

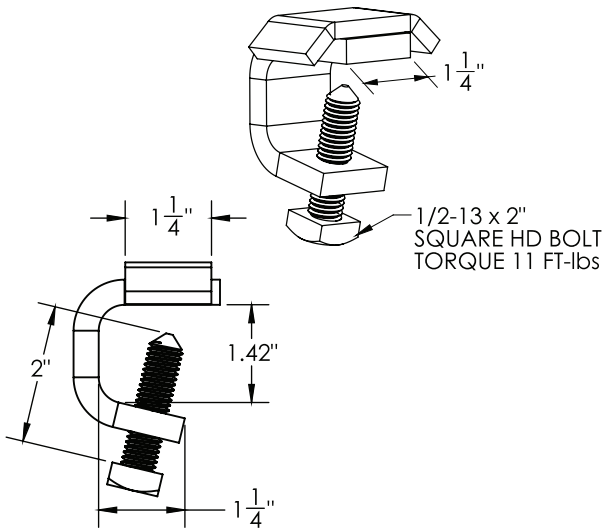
Cable Tray / Ladder Tray

X0-1249HD

PowerTray™ Accessories

Manufactured by MonoSystems, Inc.

FLANGED HOLD DOWN CLAMP FOR L-SERIES AND HEAVY POWER TRAY



Notes:

- 1.) Sold as each. 2-clamps required per tray clamp section. Each clamp includes (1) 1/2" I-beam mounting bolt no drilling required for assembly.
- 2.) For guide & bolt clamp style (for heavy tray) see part number X0-1249.
- 3.) Views for reference. Do not scale.

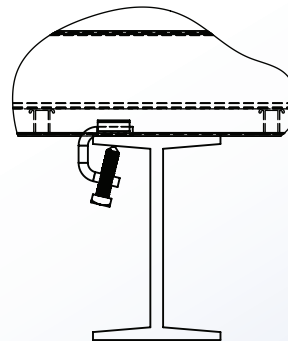
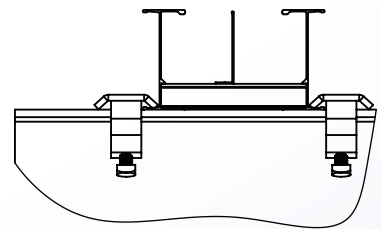
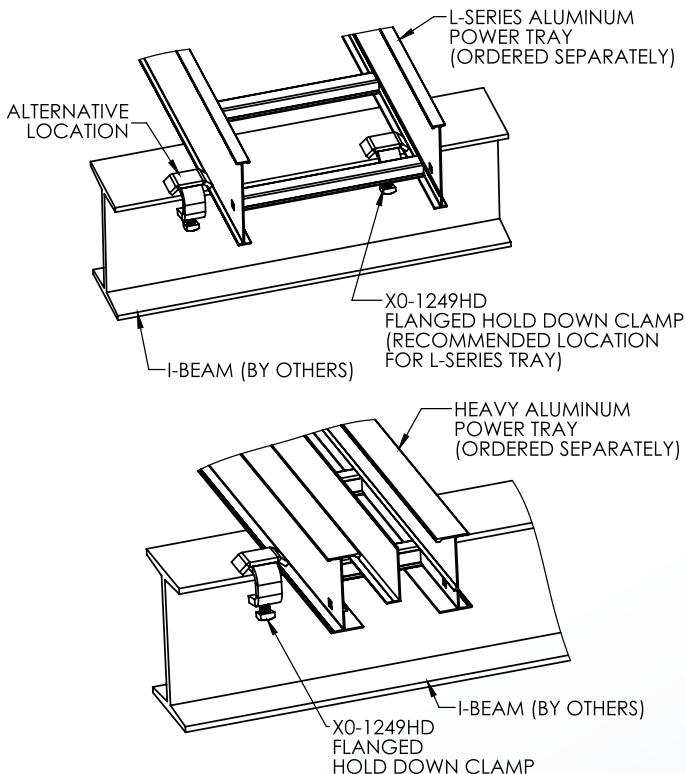


ORDERING DATA EXAMPLE:

X0-1249HD

MATERIAL

G = HOT DIPPED GALV.
Z = ZINC PLATED



4 International Drive
Rye Brook, NY 10573
Toll Free: 1 888.764.7681
Phone: 914.934.2075
Fax: 914.934.2190
MonoSystems.com

