

Cable Tray / Ladder Tray

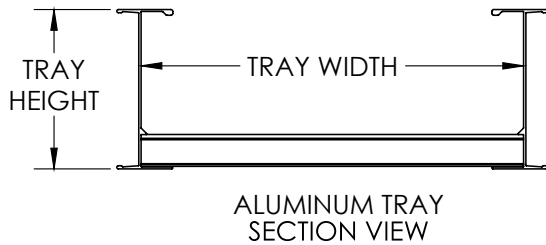
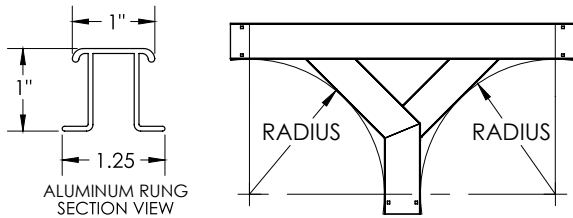
VT-XXXXLA-X

PowerTray™ Fittings

Manufactured in the USA by MonoSystems, Inc.



VERTICAL TEE MITERED ALUMINUM LADDER TYPE



Notes

- 1.) Splice connectors and included hardware are provided for each fitting.
- 2.) Views for reference - do not scale.



ORDERING DATA EXAMPLE:

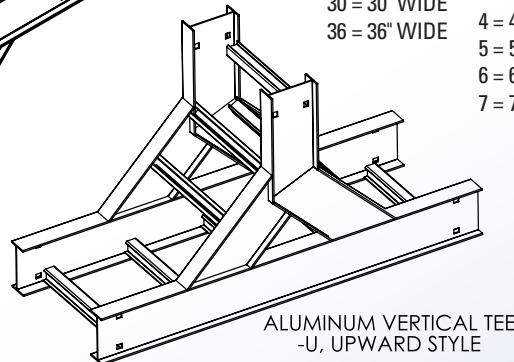
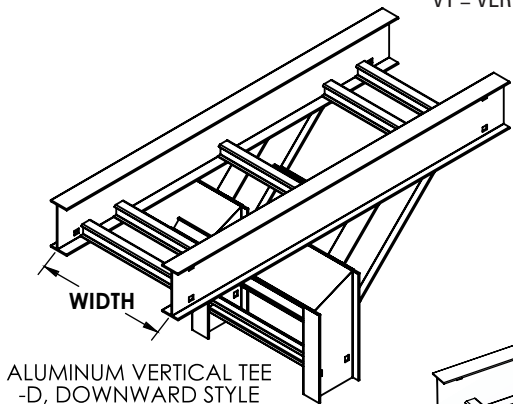
Vertical Tee, 4" High, Ladder, Aluminum, 12" Radius, 9" Wide, Upward

VT12-09-4LA-U

FITTING TYPE	RADIUS	TRAY WIDTH	BOTTOM TYPE	TEE DIRECTION
VT = VERTICAL TEE	12 = 12" 18 = 18" 24 = 24" 36 = 36"	06 = 6" WIDE 09 = 9" WIDE 12 = 12" WIDE 18 = 18" WIDE 24 = 24" WIDE 30 = 30" WIDE 36 = 36" WIDE	LA = LADDER ALUMINUM	U = UP D = DOWN

RAIL HEIGHT

4 = 4" HIGH
5 = 5" HIGH
6 = 6" HIGH
7 = 7" HIGH



4 International Drive
Rye Brook, NY 10573
Toll Free: 1 888.764.7681
Phone: 914.934.2075
Fax: 914.934.2190
MonoSystems.com



MonoSystems
wire management. managed.