

Cable Tray / Trough Tray SXXX-XX-120

TroughTray™

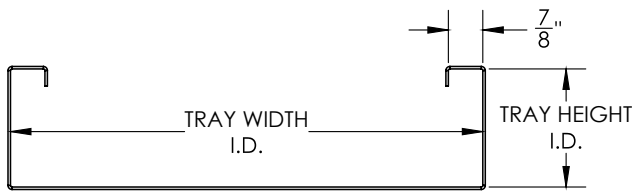
Manufactured in the USA by MonoSystems, Inc.



TROUGH TRAY

Notes

- 1.) Standard tray length: 120" [10ft].
- 2.) One u-splice connector and 3/8" hardware supplied with each tray length.
- 3.) Recommended torque: For 3/8" fasteners: 25-35 ft-lbs [33.9-47.5 N·m].
- 4.) Standard NEMA class 10a.
- 5.) Custom sizes are available. Contact MonoSystems with request.
- 6.) Views for reference - do not scale.

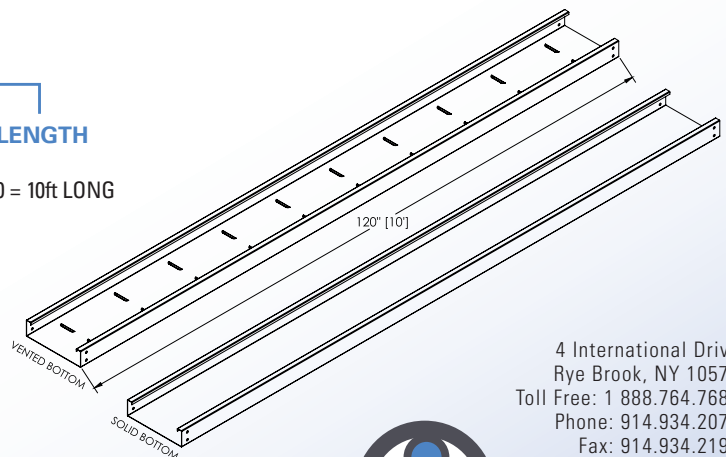
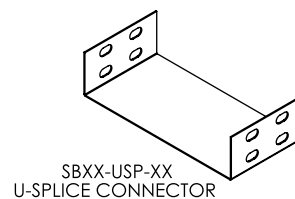


FILE: E80034
VOL.3

ORDERING DATA EXAMPLE:

SXXX-XX-120

TYPE	MATERIAL	HEIGHT	TRAY WIDTH	LENGTH
B = SOLID BOTTOM	P = STEEL PRE-GALV	3 = 3" HIGH 4 = 4" HIGH	06 = 6" WIDE 09 = 9" WIDE	120 = 10ft LONG
V = VENTED BOTTOM	G = HDGAF A = ALUMINUM	6 = 6" HIGH	12 = 12" WIDE 18 = 18" WIDE	
	4SS = 304 STAINLESS STEEL 6SS = 316 STAINLESS STEEL		24 = 24" WIDE 36 = 36" WIDE	



4 International Drive
Rye Brook, NY 10573
Toll Free: 1 888.764.7681
Phone: 914.934.2075
Fax: 914.934.2190
MonoSystems.com



MonoSystems™
wire management. managed.