

Cable Tray / Channel Tray

SXX-XX-45IVXX

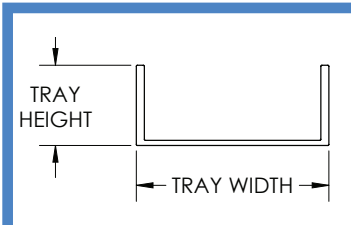
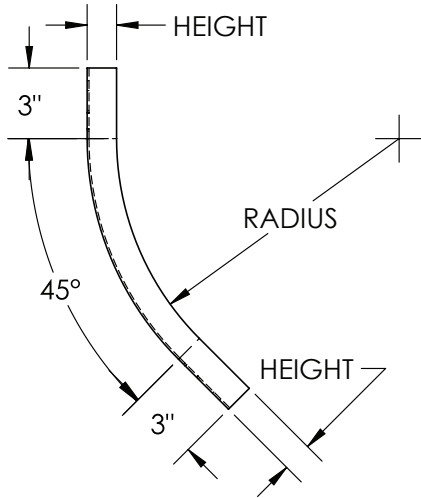
Channel Tray Fittings
 Manufactured in the USA by MonoSystems, Inc.



45° Inside Vertical Bend

General Information

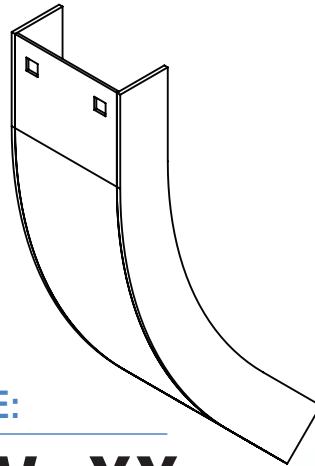
- 1.) Attach bend to channel tray using (1) supplied splice plate (sbx-104x) and provided 3/8" hardware.
- 2.) Recommended torque: for 3/8" fasteners 25-35 ft-lbs [33.9-47.5 N-m].
- 3.) Views for reference - do not scale.



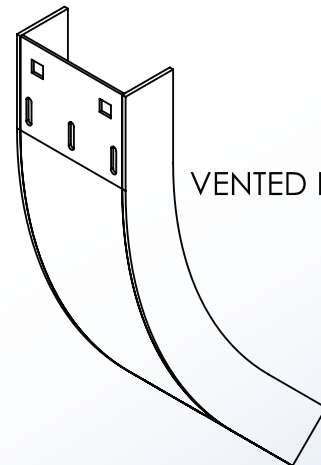
TRAY HEIGHT		TRAY WIDTH	
H		W	
IN.	MM.	IN.	MM.
1.25	32	3	76
1.75	44	4	101
1.75	44	6	152



SOLID BOTTOM



VENTED BOTTOM



ORDERING DATA EXAMPLE:

SXX - XX - 45 IV XX

STYLE	MATERIAL	WIDTH	FITTING ANGLE	FITTING TYPE	RADIUS
B = SOLID BOTTOM	A = ALUMINUM	03 = 3"	45°	IV = INSIDE VERTICAL BEND	12 = 12"
V = VENTED BOTTOM	P = PREGRAV STEEL	04 = 4"			24 = 24"
	G = HDGAF STEEL	06 = 6"			36 = 36"
	SS4 = STAINLESS STEEL 304				48 = 48"
	SS6 = STAINLESS STEEL 316				

4 International Drive
 Rye Brook, NY 10573
 Toll Free: 1 888.764.7681
 Phone: 914.934.2075
 Fax: 914.934.2190
 MonoSystems.com

