

Cable Tray / Channel Tray

SVX-XX-HTXX

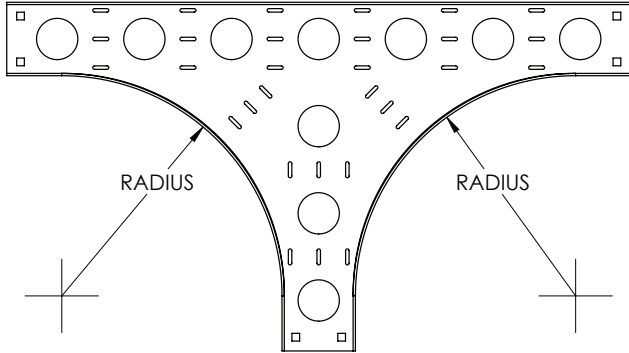
Channel Tray Fittings
 Manufactured in the USA by MonoSystems, Inc.



Horizontal Tee Fitting - Vented Bottom

General Information

- 1.) Attach fitting to channel tray using splice plates (sbx-104x) and 3/8" mounting hardware. (2) Splice plates included.
- 2.) Recommended torque: for 3/8" fasteners 25-35 ft-lbs [33.9-47.5 N-m].
- 3.) Views for reference - do not scale.



| TRAY HEIGHT | | TRAY WIDTH | |
|-------------|-----|------------|-----|
| H | | W | |
| IN. | MM. | IN. | MM. |
| 1.25 | 32 | 3 | 76 |
| 1.75 | 44 | 4 | 101 |
| 1.75 | 44 | 6 | 152 |

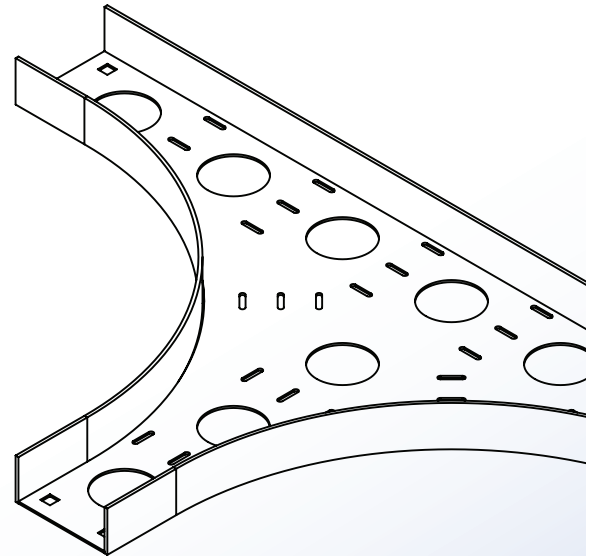


ORDERING DATA EXAMPLE:

SV X - XX - HT XX

STYLE MATERIAL WIDTH FITTING TYPE RADIUS

| | | | | |
|--------------------|--|-------------------------------|---------------------|----------------------|
| SV = VENTED BOTTOM | A = ALUMINUM P = PREGLAV STEEL G = HDGAF STEEL SS4 = STAINLESS STEEL 304 SS6 = STAINLESS STEEL 316 | 03 = 3" 04 = 4" 06 = 6" | HT = HORIZONTAL TEE | 12 24 36 48 |
|--------------------|--|-------------------------------|---------------------|----------------------|



4 International Drive
 Rye Brook, NY 10573
 Toll Free: 1 888.764.7681
 Phone: 914.934.2075
 Fax: 914.934.2190
 MonoSystems.com

