

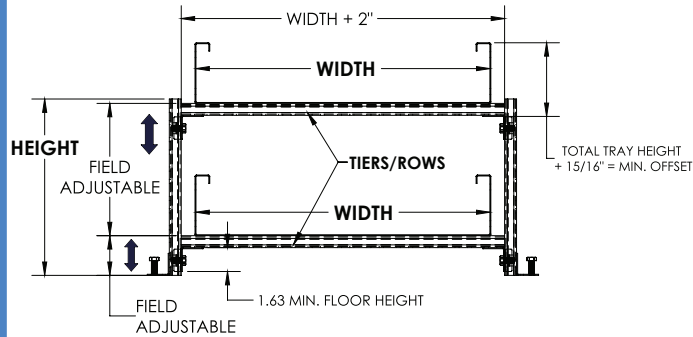
Cable Tray / TroughTray SUP-XT-FLR-XXHXXW

TroughTray™ Accessories



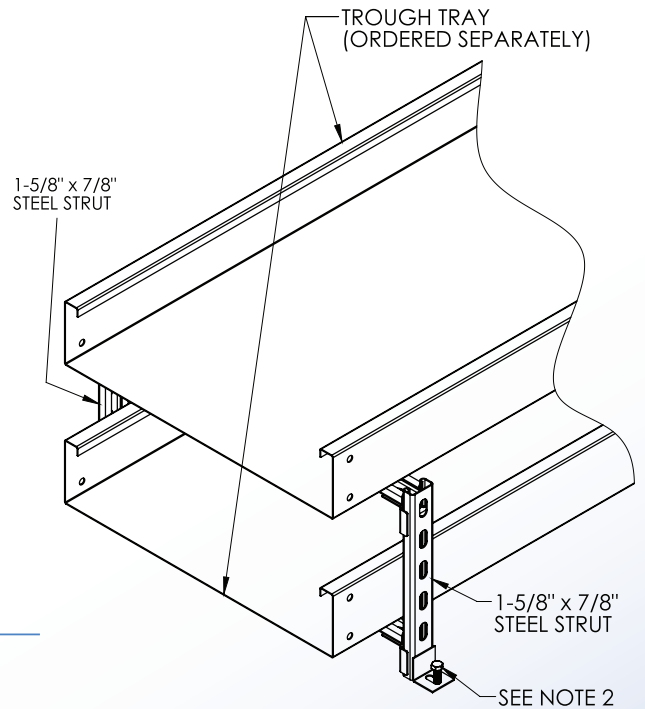
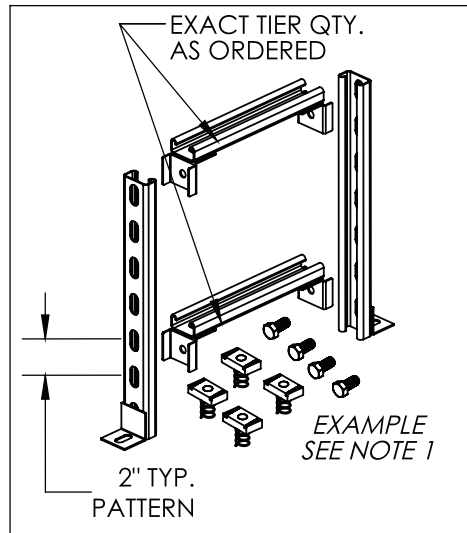
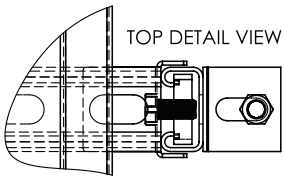
Manufactured in the USA by MonoSystems, Inc.

MULTI-TIER ADJUSTABLE CABLE TRAY FLOOR SUPPORT



Notes

- 1.) Each support provided as (2x) vertical support posts to specified height and (1 - 4) horizontal shelf brackets provided to specified width. Shelf bracket to vertical support post hardware provided.
- 2.) Mount assembly to floor using 3/8" hardware (by others).
- 3.) Multi-tier system is universal and also suitable for power tray, mono rack, or trough tray products.
- 4.) Views for reference - do not scale.



ORDERING DATA EXAMPLE:

SUP-XT-FLR-XXHXXW

TIERS/ROWS

- 1 = 1 TIER
- 2 = 2 TIER
- 3 = 3 TIER
- 4 = 4 TIER

HEIGHT AS REQUIRED

WIDTH

- 6 = 6"
- 9 = 9"
- 12 = 12"
- 18 = 18"
- 24 = 24"
- 36 = 36"

4 International Drive
Rye Brook, NY 10573
Toll Free: 1 888.764.7681
Phone: 914.934.2075
Fax: 914.934.2190
MonoSystems.com



MonoSystems™
wire management. managed.™