

# Cable Tray / Ladder Tray SR-XXXX-XXX

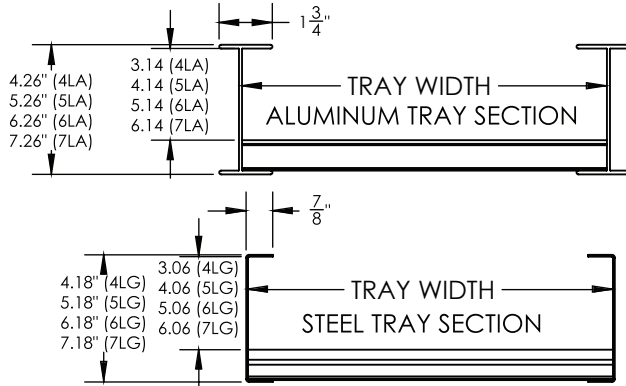
## PowerTray™ Fittings

Manufactured by MonoSystems, Inc.

### STRAIGHT REDUCERS B, C, D SERIES RAIL

#### Notes:

- 1.) One pair of splice connectors and included hardware are provided for each fitting. For aluminum: (M.S.I P/N: A4-2001, A5-2001, A6-2001, A7-2001). For steel: (M.S.I P/N: P/G4-2001, P/G5-2001, P/G6-2001, P/G7-2001).
- 2.) Views for reference - do not scale.



#### ORDERING DATA EXAMPLE:

STRAIGHT REDUCER, 12" WIDE, 6" WIDE, 4" HIGH, LADDER, ALUMINUM

**SR - 12 06 - 4 L A**

#### FITTING TYPE

SR =  
STRAIGHT  
REDUCER

#### WIDTH

09 = 9"  
12 = 12"  
18 = 18"  
24 = 24"  
30 = 30"  
36 = 36"  
42 = 42"

#### WIDTH 2

06 = 6"  
09 = 9"  
12 = 12"  
18 = 18"  
24 = 24"  
30 = 30"  
36 = 36"

#### TRAY TYPE

L = LADDER  
S = SOLID BOTTOM

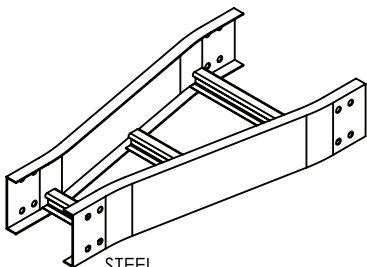
#### TRAY MATERIAL

P = STEEL PRE-GALV  
G = STEEL HDGAF  
SS = STAINLESS STEEL  
A = ALUMINUM  
T = ALUMINUM POWDER COAT

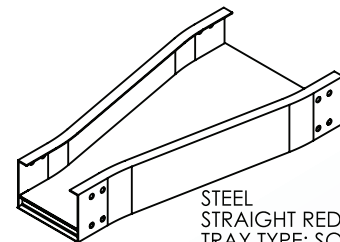
#### HEIGHT

4 = 4" (3" DEPTH)  
5 = 5" (4" DEPTH)  
6 = 6" (5" DEPTH)  
7 = 7" (6" DEPTH)

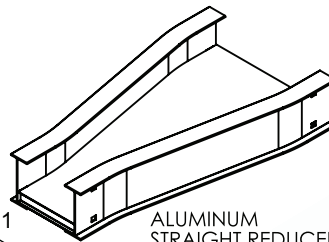
REDUCTION	TOTAL LENGTH
3"	24"
6"	
9"	
12"	33"
18"	
24"	
27"	



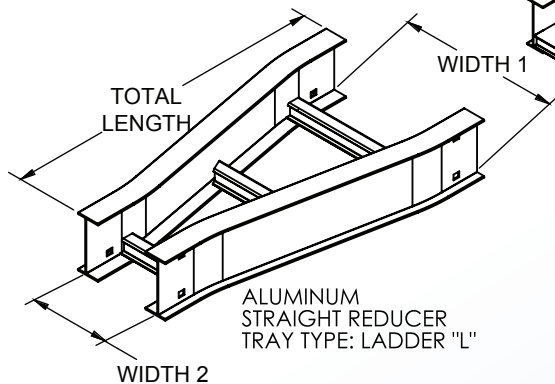
STEEL  
STRAIGHT REDUCER  
TRAY TYPE: LADDER "L"



STEEL  
STRAIGHT REDUCER  
TRAY TYPE: SOLID BOTTOM "S"



ALUMINUM  
STRAIGHT REDUCER  
TRAY TYPE: SOLID BOTTOM "S"



ALUMINUM  
STRAIGHT REDUCER  
TRAY TYPE: LADDER "L"

4 International Drive  
Rye Brook, NY 10573  
Toll Free: 1 888.764.7681  
Phone: 914.934.2075  
Fax: 914.934.2190  
MonoSystems.com

