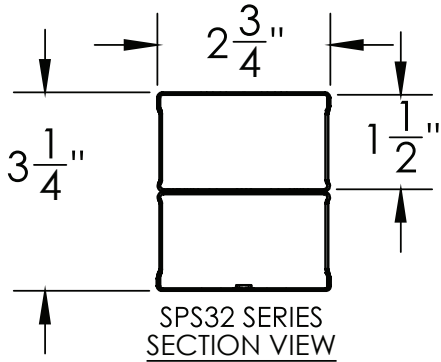


Power Pole / Steel

SPS32XX-2

SnaPole™

Manufactured by MonoSystems, Inc.



PREWIRED POWER POLE IVORY, STEEL (2) NEMA 5-20R DUPLEX (TWO CIRCUITS)

2 DUPLEX RECEPTACLES ON FRONTSIDE COMMUNICATION KNOCKOUTS ON BACKSIDE

Installation Notes:

- 1.) Determine approximate mounting location and height of pole. (Poles should be mounted on a flat level surface).
- 2.) Attach the end caps/floor plate to the pole base using supplied #6-32 screws.
- 3.) Position the pole in the intended mounting position and erect. Temporarily secure pole in place from structure above to allow for final component installation. Affix pole to floor using velcro floor pad (provided). For carpeted surfaces, floor pad is not required.
- 4.) Adjust mounting using a level to achieve a square and perpendicular installation. Install 1/4-20 mounting fasteners (by others) thru end caps on both sides and ends of the pole. Be sure there is at least 1/8" of clearance between mounting hardware and area surrounding the knockouts before drilling or installing fasteners.
- 5.) For installation above suspended ceiling grids, remove ceiling tiles at installation site. Secure pole to existing suspended ceiling T-Bar grid using hanger clamp and #8-32 thumb screws, then affix to 3/8" threaded rod from structural ceiling (by others). For installations without suspended ceiling grids, simply attach hanger clamp to 3/8" threaded rod from structural ceiling (by others) and secure to pole using supplied #8-32 thumb screw.
- 6.) Pull wiring (by others) through end cap in base and attach end cap using supplied 6-32 screws. Field install power wires into flexible conduit and junction box. (supplied by others) Terminate wires as required per NEC and local codes. Installer shall furnish and install a separate equipment ground conductor and terminate per local codes using provided ground screw.
- 7.) Install and wire data / comm. devices (by others) per NEC and local codes.
- 8.) Cut ceiling tile to accommodate power pole penetration, and replace. Install ceiling trim plates to give installation a completed look.



FILE: E170295

Catalog Number	Pole Length	No. of 20A Circuits	No. of 20A Duplex Receptacles	Standard Color
SPS3201-2	10'-6" (3.2m)	2	2	IVORY
SPS3202-2	12'-6" (3.8m)	2	2	IVORY
SPS3205-2	15'-6" (4.7m)	2	2	IVORY
SPS3220-2	20' (6.1m)	2	2	IVORY
SPS3222-2	22' (6.7m)	2	2	IVORY
SPS3225-2	25' (7.6m)	2	2	IVORY

4 International Drive
Rye Brook, NY 10573
Toll Free: 1 888.764.7681
Phone: 914.934.2075
Fax: 914.934.2190
MonoSystems.com

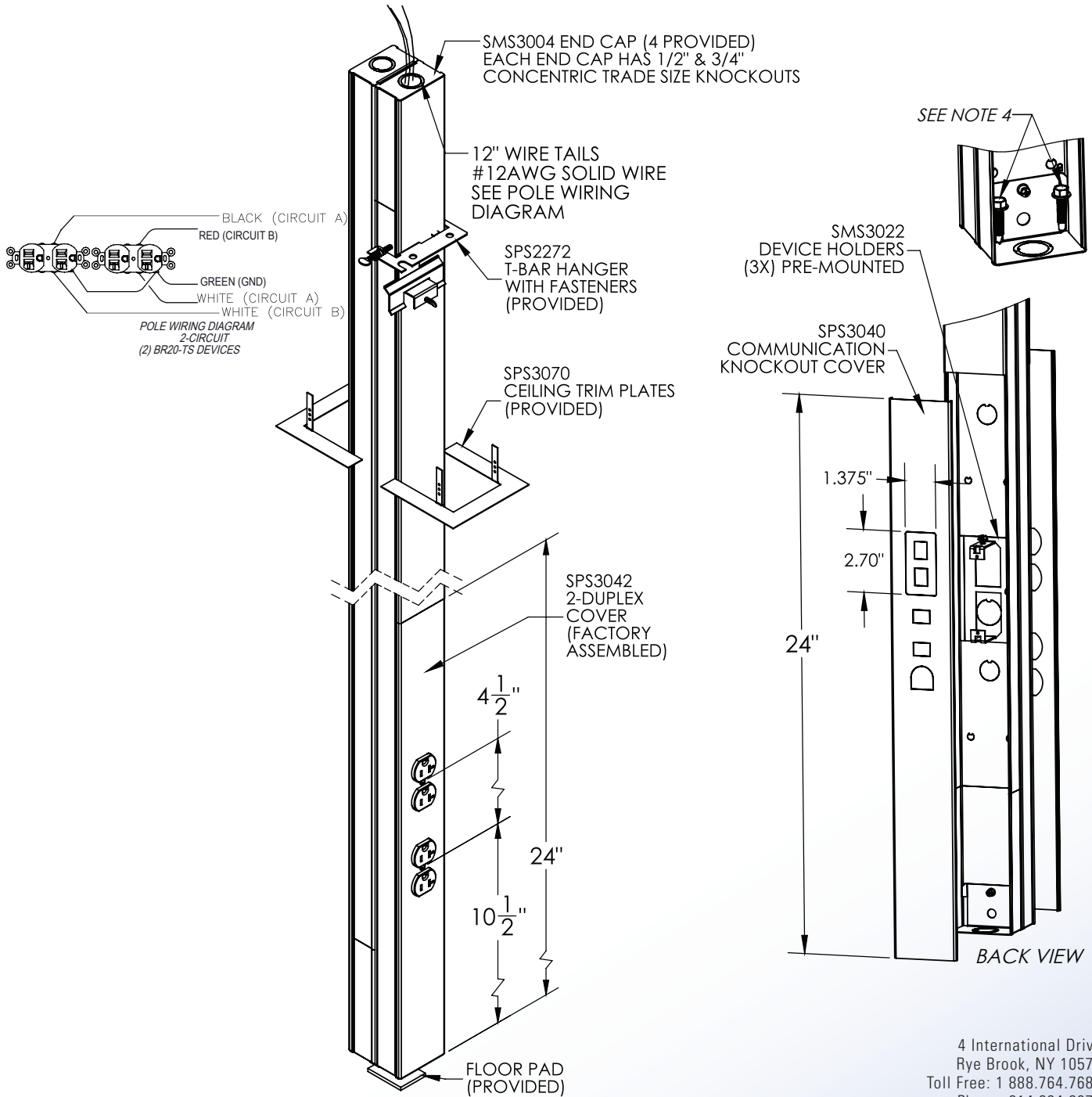


Power Pole / Steel SPS32XX-2

SnaPole™

Manufactured by MonoSystems, Inc.

ASSEMBLED POWER POLE



4 International Drive
Rye Brook, NY 10573
Toll Free: 1 888.764.7681
Phone: 914.934.2075
Fax: 914.934.2190
MonoSystems.com

