

# Cable Tray / Trough Tray

## SBXX-HE30-XXXX

### TroughTray™ Fittings

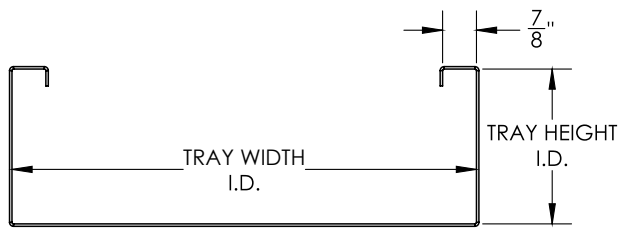
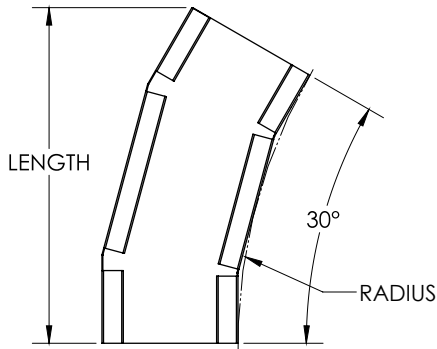
Manufactured in the USA by MonoSystems, Inc.



## HORIZONTAL ELBOW, 30°

### Notes

- 1.) Ordered as each. Use to make a 30° bend.
- 2.) One u-splice and 3/8" mounting hardware provided.
- 3.) Recommended torque: for 3/8" fasteners: 25-35 ft-lbs [33.9-47.5 N-m].
- 4.) Views for reference - do not scale.



FILE: E80034  
VOL.3

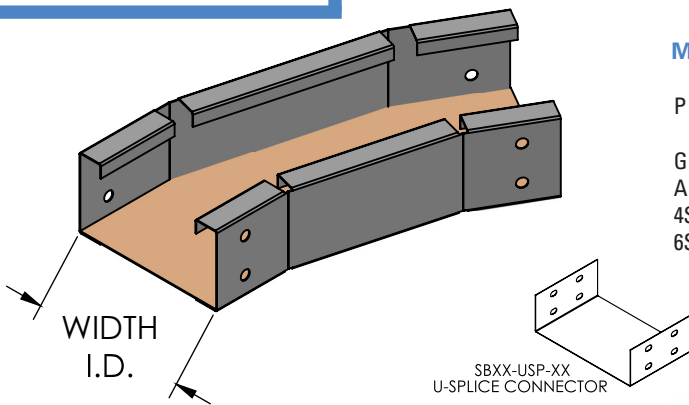
### ORDERING DATA EXAMPLE:

## SBXX-HE30-XXXX

MATERIAL    TRAY HEIGHT    ANGLE    RADIUS    TRAY WIDTH

P = STEEL            3 = 3" HIGH            30 = 30°    12 = 12"    06 = 6" WIDE  
                           4 = 4" HIGH    24 = 24"  
 G = HDGAF           6 = 6" HIGH    12 = 12" WIDE  
 A = ALUMINUM    18 = 18" WIDE  
 4SS = 304 STAINLESS STEEL    24 = 24" WIDE  
 6SS = 316 STAINLESS STEEL    36 = 36" WIDE

\*ADDITIONAL RADIUS, VENTED BOTTOM, AND PAINTED OPTIONS AVAILABLE  
SPEAK WITH MONOSYSTEMS TO CHOOSE



ALUMINUM P/N	ALUMINUM GAUGE	STEEL GAUGE	HEIGHT (H)	WIDTH (W)	FOR 12"R LENGTH (L)	FOR 24"R LENGTH (L)
SBXX-HE30-XX06	0.063"	20	3," 4" OR 6"	6"	9"	15"
SBXX-HE30-XX09	0.063"	20	3," 4" OR 6"	9"	10-1/2"	16-1/2"
SBXX-HE30-XX12	0.063"	20	3," 4" OR 6"	12"	12"	18"
SBXX-HE30-XX18	0.063"	20	3," 4" OR 6"	18"	15"	21"
SBXX-HE30-XX24	0.063"	20	3," 4" OR 6"	24"	18"	24"
SBXX-HE30-XX36	0.080"	18	3," 4" OR 6"	36"	24"	30"



4 International Drive  
Rye Brook, NY 10573  
Toll Free: 1 888.764.7681  
Phone: 914.934.2075  
Fax: 914.934.2190  
MonoSystems.com

**MonoSystems™**  
wire management. managed.™