

Cable Tray / Trough Tray SBXX-SR-XXXX

TroughTray™ Fittings

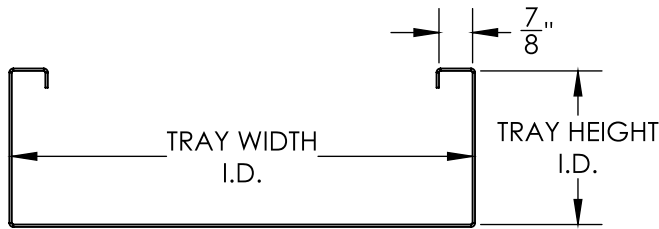
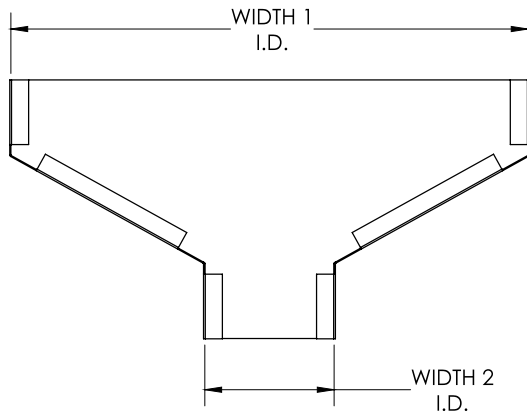
Manufactured in the USA by MonoSystems, Inc.



STRAIGHT REDUCER

Notes

- 1.) Ordered as each.
- 2.) One u-splice connector and 3/8" hardware provided.
- 3.) Recommended torque: For 3/8" fasteners: 25-35 ft-lbs [33.9-47.5 N-m].
- 4.) Views for reference - do not scale.

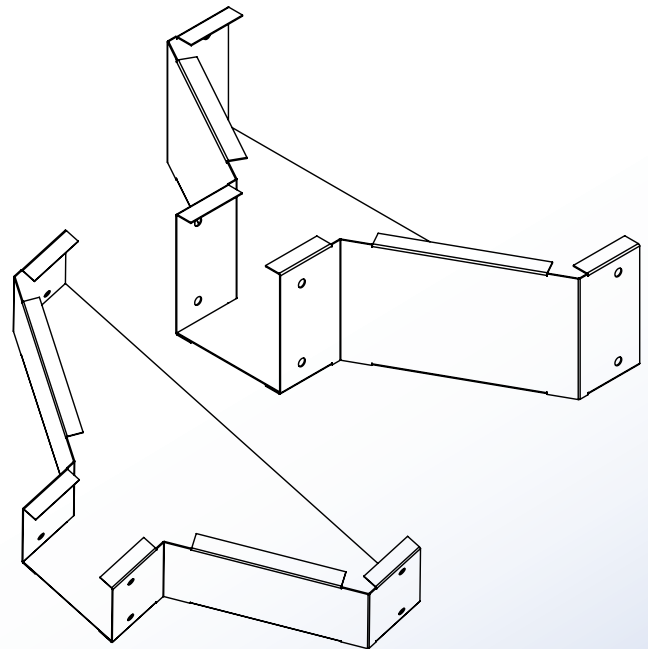


FILE: E80034
VOL.3

ORDERING DATA EXAMPLE:

SBXX-SR-XXXX

MATERIAL	TRAY HEIGHT	WIDTH 1	WIDTH 2
P = STEEL	3 = 3" HIGH	09 = 9" WIDE	06 = 6" WIDE
PRE-GALV	4 = 4" HIGH	12 = 12" WIDE	09 = 9" WIDE
G = HDGAF	6 = 6" HIGH	18 = 18" WIDE	12 = 12" WIDE
A = ALUMINUM		24 = 24" WIDE	18 = 18" WIDE
4SS = 304 STAINLESS STEEL		36 = 36" WIDE	24 = 24" WIDE
6SS = 316 STAINLESS STEEL			



*ADDITIONAL RADIUS, VENTED BOTTOM,
AND PAINTED OPTIONS AVAILABLE
SPEAK WITH MONOSYSTEMS TO CHOOSE



4 International Drive
Rye Brook, NY 10573
Toll Free: 1 888.764.7681
Phone: 914.934.2075
Fax: 914.934.2190
MonoSystems.com

MonoSystems™
wire management. managed.