

# Cable Tray / Trough Tray SBXX-SP

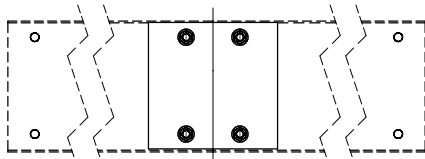
TroughTray™ Accessories  
Manufactured in the USA by MonoSystems, Inc.



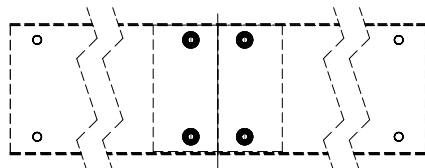
## FLAT SPLICE PLATE

### Notes

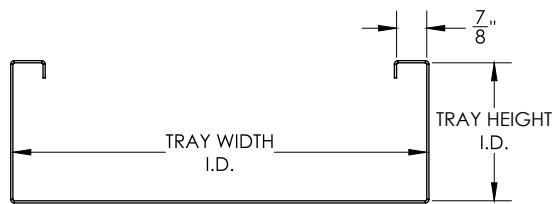
- 1.) Ordered as a pair. Use to junction tray sections together.
- 2.) Flat splice plates can be used to connect trough tray fittings where a u-splice cannot be used. Flat splice plates can be mounted on the outside or inside of the adjoining tray sections.
- 3.) 3/8" mounting hardware provided.
- 4.) Recommended torque: for 3/8" fasteners: 25-35 ft-lbs [33.9-47.5 n-m].
- 5.) Views for reference - do not scale.



SHOWN MOUNTED ON OUTSIDE



SHOWN MOUNTED ON INSIDE



### ORDERING DATA EXAMPLE:

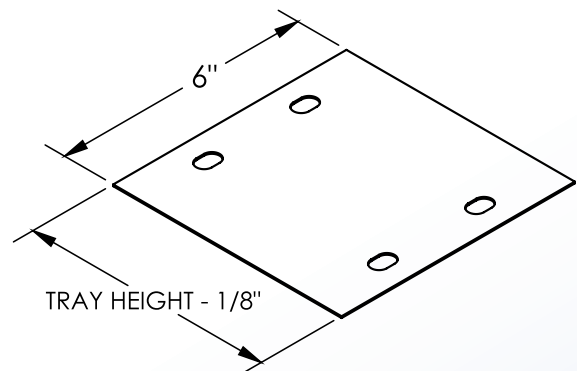
# SBXX-SP

#### MATERIAL

P = STEEL PRE-GALV  
G = HOT DIPPED GALV.  
A = ALUMINUM  
4SS = 304 STAINLESS STEEL  
6SS = 316 STAINLESS STEEL

#### HEIGHT

3 = 3" HIGH  
4 = 4" HIGH  
6 = 6" HIGH



4 International Drive  
Rye Brook, NY 10573  
Toll Free: 1 888.764.7681  
Phone: 914.934.2075  
Fax: 914.934.2190  
MonoSystems.com



**MonoSystems™**  
wire management. managed.™