

Cable Tray / Trough Tray SBXX-OV90-XXXX

TroughTray™ Fittings

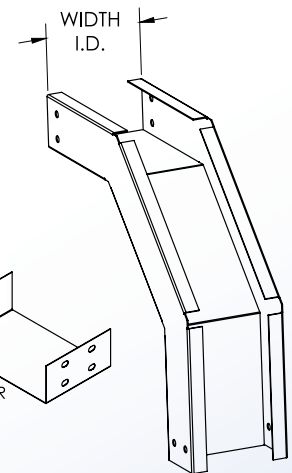
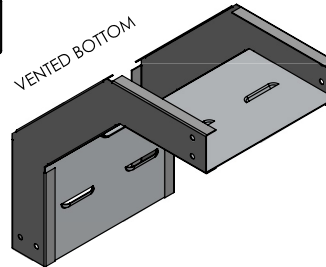
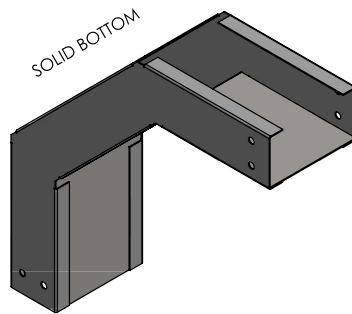
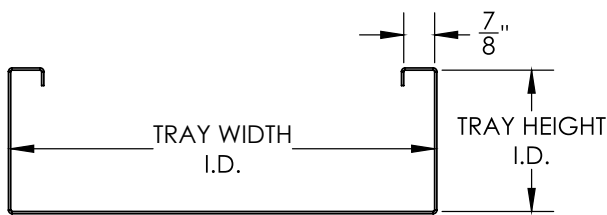
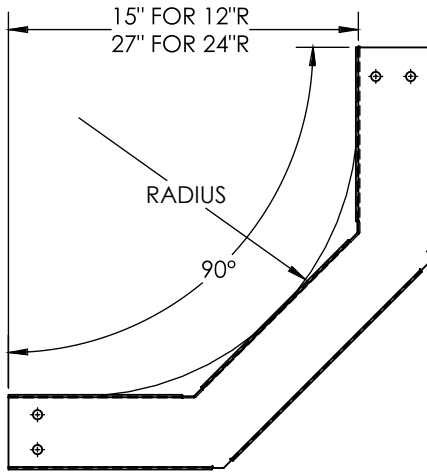
Manufactured in the USA by MonoSystems, Inc.



OUTSIDE VERTICAL ELBOW 90° BEND

Notes

- 1.) Ordered as each.
- 2.) One u-splice connector and 3/8" mounting hardware provided.
- 3.) Recommended torque: For 3/8" fasteners: 25-35 ft-lbs [33.9-47.5 N-m].
- 4.) Views for reference - do not scale.



SBXX-USP-XX
U-SPLICE CONNECTOR

*ADDITIONAL RADIUS AND PAINTED OPTIONS
AVAILABLE SPEAK WITH MONOSYSTEMS TO CHOOSE

ORDERING DATA EXAMPLE:

SBXX-OV90-XXXX

TYPE	MATERIAL	TRAY HEIGHT	RADIUS	TRAY WIDTH
B = SOLID BOTTOM	P = STEEL	3 = 3" HIGH	12 = 12"	06 = 6" WIDE
	PRE-GALV	4 = 4" HIGH	24 = 24"	09 = 9" WIDE
V = VENTED BOTTOM	G = HDGAF	6 = 6" HIGH		12 = 12" WIDE
	A = ALUMINUM			18 = 18" WIDE
	4SS = 304 STAINLESS STEEL			24 = 24" WIDE
	6SS = 316 STAINLESS STEEL			36 = 36" WIDE

4 International Drive
Rye Brook, NY 10573
Toll Free: 1 888.764.7681
Phone: 914.934.2075
Fax: 914.934.2190
MonoSystems.com



MonoSystems™
wire management. managed.