

Cable Tray / Trough Tray SBXX-IV45-XXXX

TroughTray™ Fittings

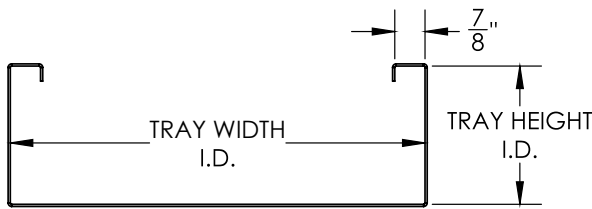
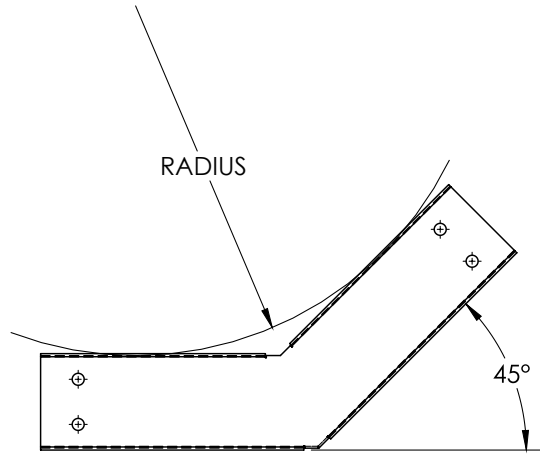
Manufactured in the USA by MonoSystems, Inc.



INSIDE VERTICAL ELBOW 45° BEND

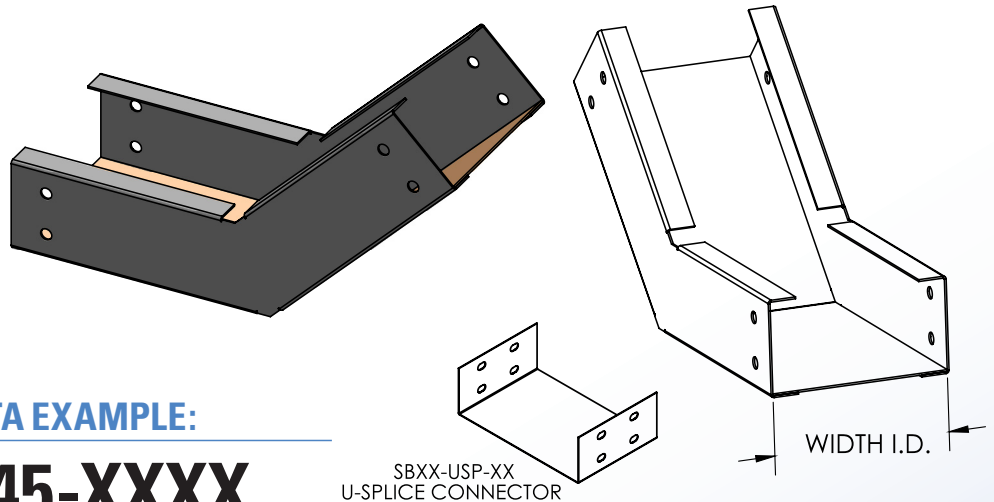
Notes

- 1.) Ordered as each.
- 2.) One u-splice connector and 3/8" mounting hardware provided.
- 3.) Recommended torque: For 3/8" fasteners: 25-35 ft-lbs [33.9-47.5 N-m].
- 4.) Views for reference - do not scale.



FILE: E80034
VOL.3

*ADDITIONAL RADIUS, VENTED BOTTOM,
AND PAINTED OPTIONS AVAILABLE
SPEAK WITH MONOSYSTEMS TO CHOOSE



ORDERING DATA EXAMPLE:

SBXX-IV45-XXXX

| MATERIAL | TRAY HEIGHT | RADIUS | TRAY WIDTH |
|---------------------------|-------------|----------|---------------|
| P = STEEL | 3 = 3" HIGH | 12 = 12" | 06 = 6" WIDE |
| PRE-GALV | 4 = 4" HIGH | 24 = 24" | 09 = 9" WIDE |
| G = HDGAF | 6 = 6" HIGH | | 12 = 12" WIDE |
| A = ALUMINUM | | | 18 = 18" WIDE |
| 4SS = 304 STAINLESS STEEL | | | 24 = 24" WIDE |
| 6SS = 316 STAINLESS STEEL | | | 36 = 36" WIDE |

SBXX-USP-XX
U-SPLICE CONNECTOR

4 International Drive
Rye Brook, NY 10573
Toll Free: 1 888.764.7681
Phone: 914.934.2075
Fax: 914.934.2190
MonoSystems.com



MonoSystems
wire management. managed.