

Cable Tray / Trough Tray SBXX-HT-XXXX

TroughTray™ Fittings

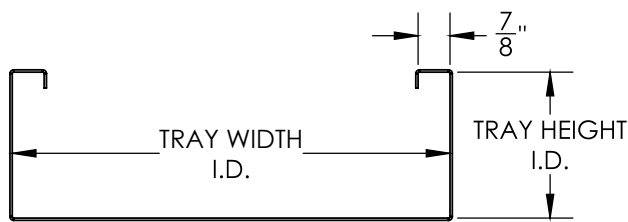
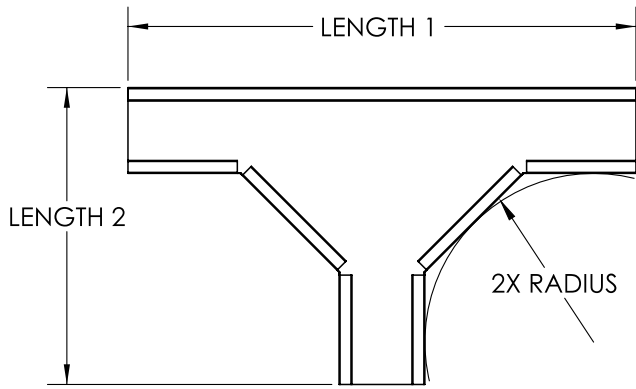
Manufactured in the USA by MonoSystems, Inc.



HORIZONTAL TEE

Notes

- 1.) Ordered as each.
- 3.) 2 U-splice connectors, and 3/8" mounting hardware provided.
- 3.) Recommended torque: For 3/8" fasteners: 25-35 ft-lbs [33.9-47.5 N-m].
- 4.) Views for reference - do not scale.



FILE: E80034
VOL.3

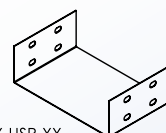
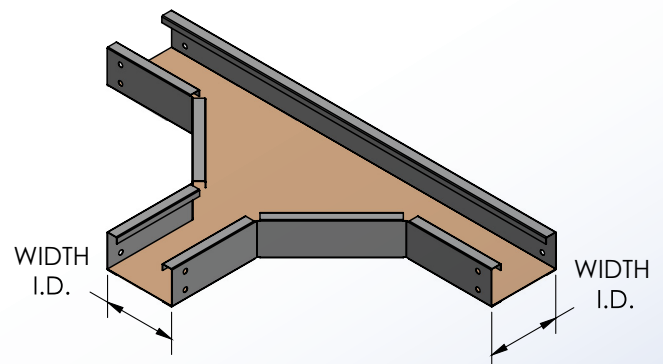
ALUMINUM P/N	ALUMINUM GAUGE	STEEL GAUGE	HEIGHT (H)	WIDTH (W)	FOR 12"R LENGTH 1	FOR 24"R LENGTH 1	FOR 12"R LENGTH 2	FOR 24"R LENGTH 2
SBXX-HT-XX06	0.063"	20	3," 4" OR 6"	6"	36"	54"	21"	30"
SBXX-HT-XX09	0.063"	20	3," 4" OR 6"	9"	39"	57"	24"	33"
SBXX-HT-XX12	0.063"	20	3," 4" OR 6"	12"	42"	60"	27"	36"
SBXX-HT-XX18	0.063"	20	3," 4" OR 6"	18"	48"	66"	33"	42"
SBXX-HT-XX24	0.063"	20	3," 4" OR 6"	24"	54"	72"	39"	48"
SBXX-HT-XX36	0.080"	18	3," 4" OR 6"	36"	66"	84"	51"	60"

ORDERING DATA EXAMPLE:

SBXX-HT-XXXX

MATERIAL	TRAY HEIGHT	RADIUS	TRAY WIDTH
P = STEEL	3 = 3" HIGH	12 = 12"	06 = 6" WIDE
PRE-GALV	4 = 4" HIGH	24 = 24"	09 = 9" WIDE
G = HDGAF	6 = 6" HIGH		12 = 12" WIDE
A = ALUMINUM			18 = 18" WIDE
4SS = 304 STAINLESS STEEL			24 = 24" WIDE
6SS = 316 STAINLESS STEEL			36 = 36" WIDE

*ADDITIONAL RADIUS, VENTED BOTTOM, AND PAINTED OPTIONS AVAILABLE
SPEAK WITH MONOSYSTEMS TO CHOOSE



SBXX-USP-XX
U-SPLICE CONNECTOR

4 International Drive
Rye Brook, NY 10573
Toll Free: 1 888.764.7681
Phone: 914.934.2075
Fax: 914.934.2190
MonoSystems.com



MonoSystems
wire management. managed.