

Cable Tray / Trough Tray SBXX-HE45-XXXX

TroughTray™ Fittings

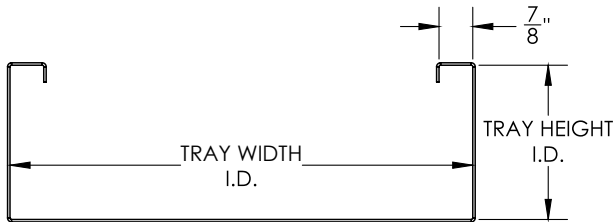
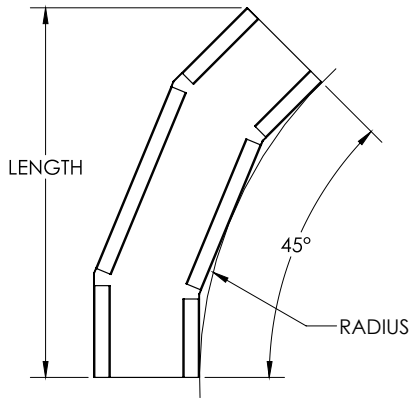
Manufactured in the USA by MonoSystems, Inc.



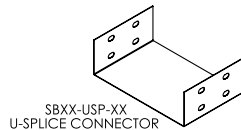
HORIZONTAL ELBOW, 45°

Notes

- 1.) Ordered as each. Use to make 45° bend.
- 2.) One u-splice connector and 3/8" hardware provided.
- 3.) Recommended torque: For 3/8" fasteners: 25-35 ft-lbs [33.9-47.5 N-m].
- 4.) Views for reference - do not scale.



FILE: E80034
VOL.3



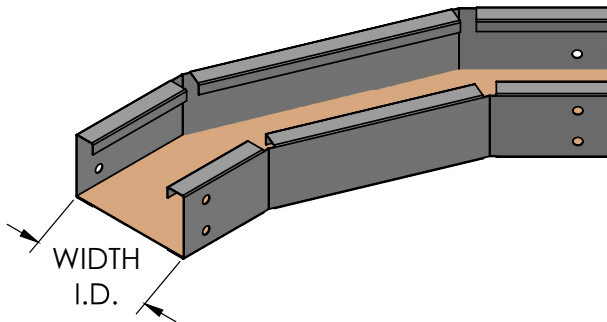
ORDERING DATA EXAMPLE:

SBXX-HE45-XXXX

MATERIAL TRAY HEIGHT ANGLE RADIUS TRAY WIDTH

P = STEEL	3 = 3" HIGH	45 = 45°	12 = 12"	06 = 6" WIDE
PRE-GALV	4 = 4" HIGH		24 = 24"	09 = 9" WIDE
G = HDGAF	6 = 6" HIGH			12 = 12" WIDE
A = ALUMINUM				18 = 18" WIDE
4SS = 304 STAINLESS STEEL				24 = 24" WIDE
6SS = 316 STAINLESS STEEL				36 = 36" WIDE

*ADDITIONAL RADIUS, VENTED BOTTOM,
AND PAINTED OPTIONS AVAILABLE
SPEAK WITH MONOSYSTEMS TO CHOOSE



ALUMINUM P/N	ALUMINUM GAUGE	STEEL GAUGE	HEIGHT (H)	WIDTH (W)	FOR 12"R LENGTH (L)	FOR 24"R LENGTH (L)
SBXX-HE45-XX06	0.063"	20	3," 4" OR 6"	6"	12-3/4"	21-7/32"
SBXX-HE45-XX09	0.063"	20	3," 4" OR 6"	9"	14-7/8"	23-11/32"
SBXX-HE45-XX12	0.063"	20	3," 4" OR 6"	12"	16-31/32"	25-15/32"
SBXX-HE45-XX18	0.063"	20	3," 4" OR 6"	18"	21-7/32"	29-11/16"
SBXX-HE45-XX24	0.063"	20	3," 4" OR 6"	24"	25-15/32"	33-15/16"
SBXX-HE45-XX36	0.080"	18	3," 4" OR 6"	36"	33-15/16"	42-7/16"



4 International Drive
Rye Brook, NY 10573
Toll Free: 1 888.764.7681
Phone: 914.934.2075
Fax: 914.934.2190
MonoSystems.com

MonoSystems™
wire management. managed.™